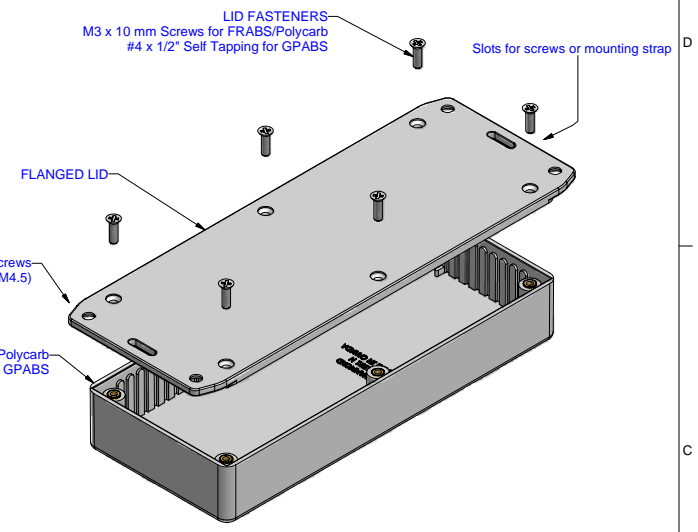
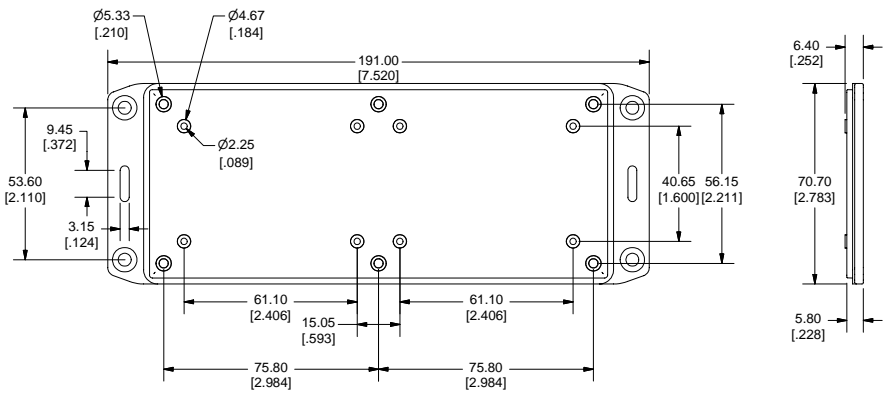
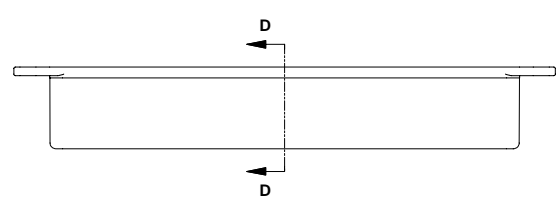
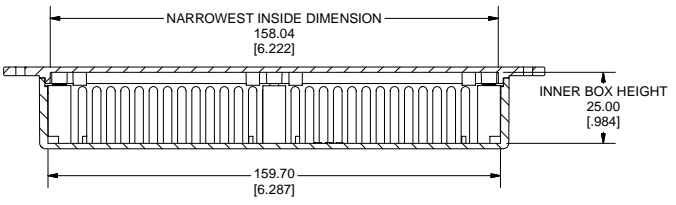
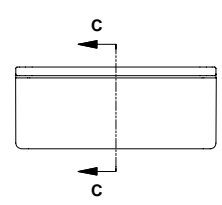
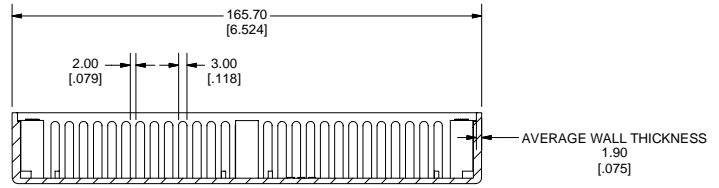
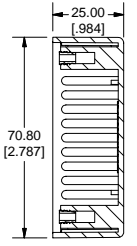
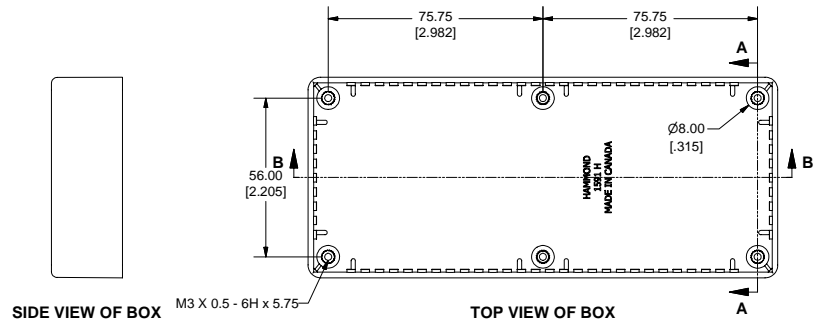


1591HFL Enclosure



EXPLODED VIEW OF ASSEMBLY

Note:
Enclosures can be Factory Modified (Milling, Drilling, Printing etc.)
Solid models of this enclosure available in STEP or IGES Format.
Contact Factory mjm@hammondmfg.com

PART NUMBERS		
1591H Flanged Lid Enclosures		
Material	Colour	Part Number
FRABS UL94	Black	1591HFLBK
- V0	Grey	1591HFLGY
Accessories		
Description	Part Number	
Used with ABS Enclosures	PC Board Card Adapters	See Accessories Section
	Replacement Screws, Flat Head Phillips Nickel Plated Pack of 100.	1591MS100 1591MS100BK (Black)
Recommended Torque on Fasteners (no lubrication)		
M3 - 0.5 x 10mm Screws		30-40 cN*m
#4 x 0.5 Screws		30-40 cN*m

