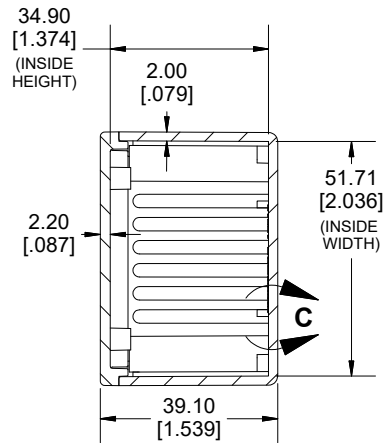
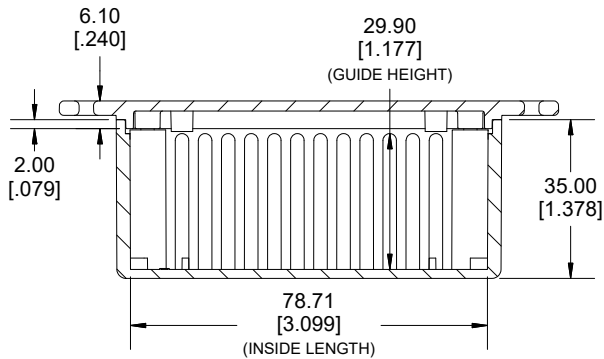
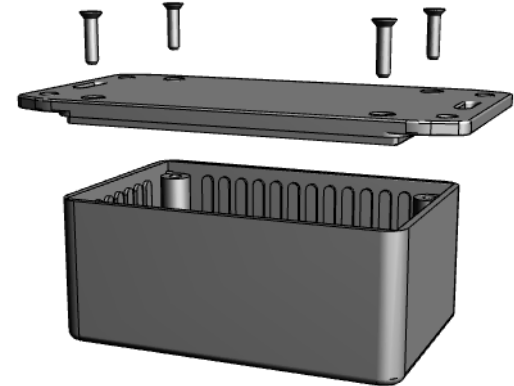


TOP VIEW

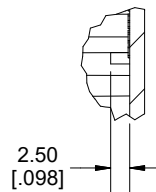


SECTION A-A

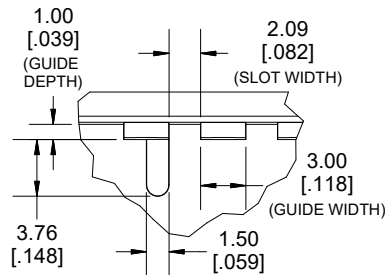


SECTION B-B
SIDE VIEW

DETAIL C



DETAIL D



Enclosures can be Factory Modified (Milling, Drilling, Printing etc.)
 Contact Factory (modshop@hammfg.com) for quotes
 Solid models of this enclosure available in .stp or .x_t
 (Part number and text placement/orientation on our products are subject to change, we do not recommend using them as a locating reference for modification purposes)

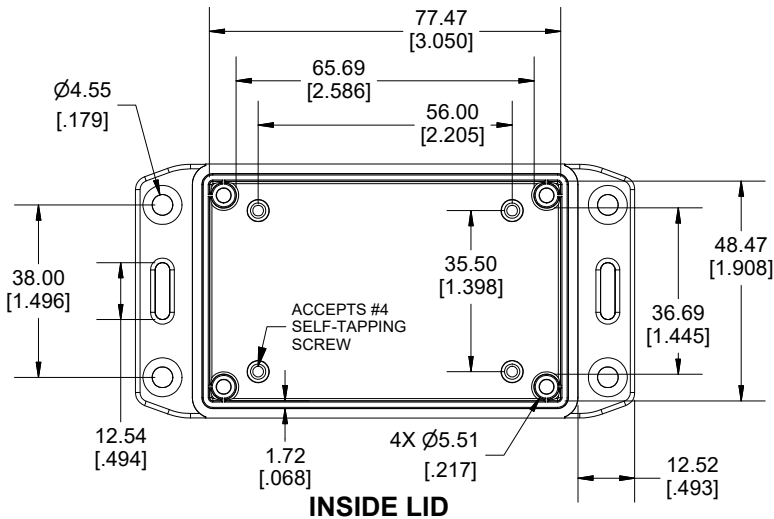
NOTE

Purchased assembly includes box, lid and 4 cover screws
 Enclosure made from GPABS.

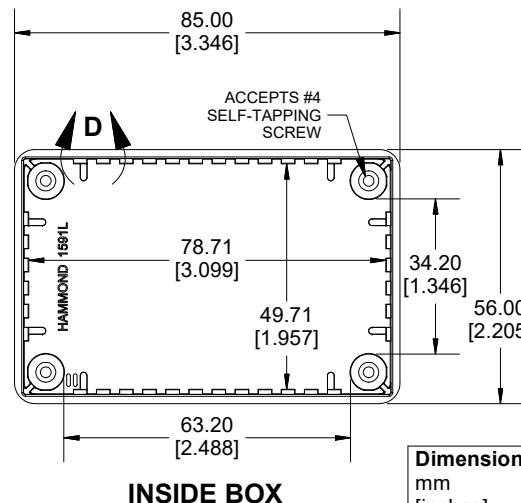
Recommended Torque: 42-57 ozf.in (30-40 cN.m)

PART NUMBERS

1591L Enclosure	
General Purpose ABS Black	1591LSFLBK
Accessories	
Plated Cover screw	1591TS100 (Silver)
#4 X 1/2" (100Pkg) Self-Tapping	1591TS100BK (Black)
P.C Board screws for Lid	1593ATS50 (50Pkg)
#4 X 1/4" (6.4mm) Self-Tapping	1593ATS100 (100Pkg)
PC Board Card Adapters	1591Z6 (6Pkg)
	1591Z50 (50 Pkg)
	1591Z100 (100Pkg)
Nylon Belt / Pocket clip	1599CLIP (Black)
	1599CLIPGY (Grey)

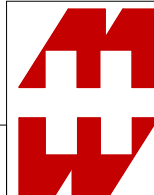


INSIDE LID



INSIDE BOX

Dimensions:
mm
[inches]



**HAMMOND
MANUFACTURING.**
1591LSFL

www.hammondmfg.com