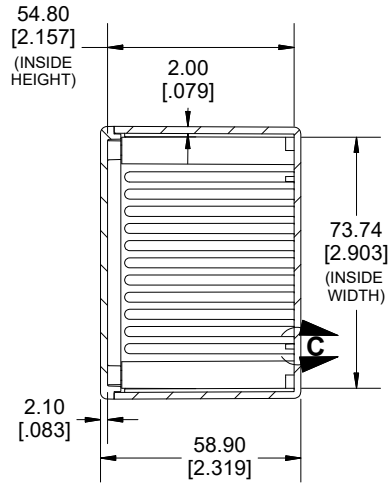
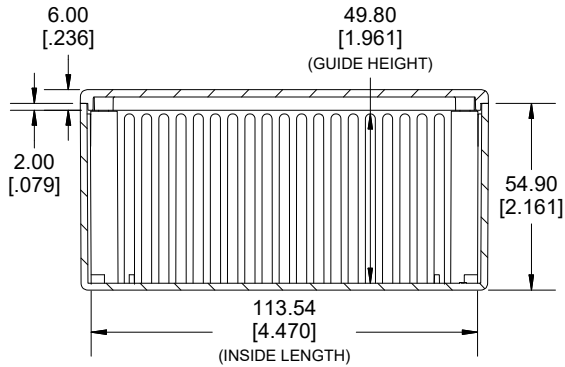
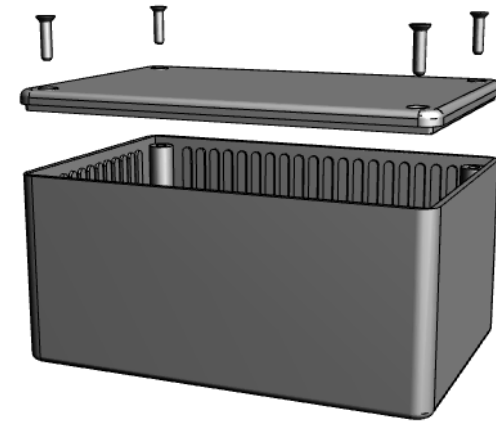


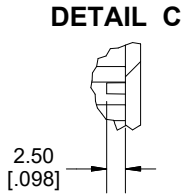
**TOP VIEW**



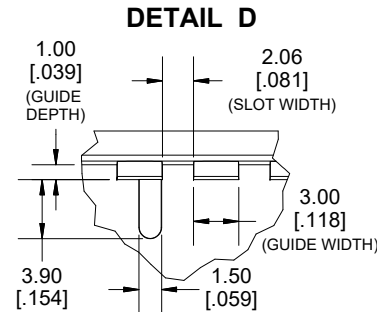
**SECTION A-A**



**SECTION B-B  
SIDE VIEW**



**DETAIL C**

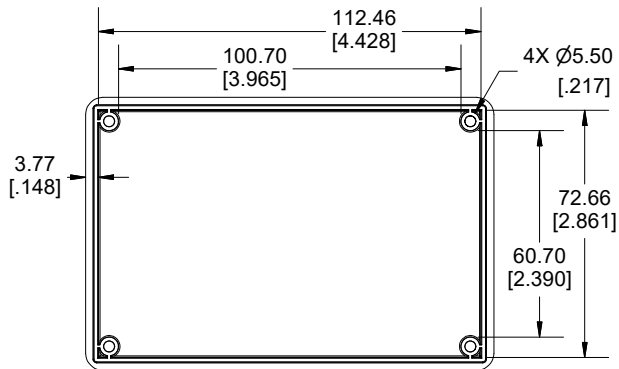


**DETAIL D**

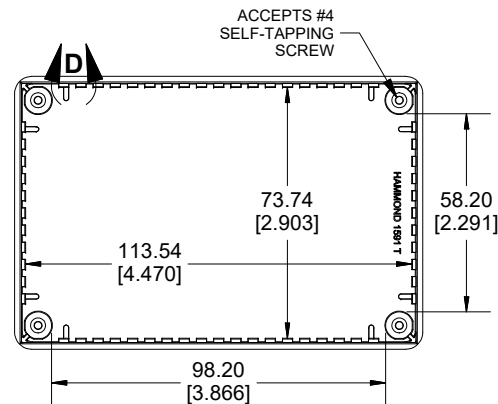
Enclosures can be Factory Modified (Milling, Drilling, Printing etc.)  
 Contact Factory (modshop@hammfg.com) for quotes  
 Solid models of this enclosure available in .stp or .x\_t  
 (Part number and text placement/orientation on our products are subject to change,  
 we do not recommend using them as a locating reference for modification purposes)

NOTE	
Purchased assembly includes box, lid and 4 cover screws Enclosure made from GPABS.	
<b>Recommended Torque: 42-57 ozf.in (30-40 cN.m)</b>	

PART NUMBERS	
<b>1591T Enclosure</b>	
General Purpose ABS Black	1591TSBK
General Purpose ABS Grey	1591TSGY
<b>Accessories</b>	
Plated Cover screw	1591TS100 (Silver)
#4 X 1/2" (100Pkg) Self-Tapping	1591TS100BK (Black)
PC Board Card Adapters	1591Z6 (6Pkg)
	1591Z50 (50 Pkg)
	1591Z100 (100Pkg)
Nylon Belt / Pocket clip	1599CLIP (Black)
	1599CLIPGY (Grey)
Clear Lids - Flame Retardant Polycarbonate - Lid ONLY	1591TC

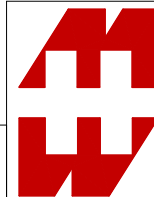


**INSIDE LID**



**INSIDE BOX**

Dimensions:  
mm  
[inches]



**HAMMOND  
MANUFACTURING.  
1591TS**

www.hammondmfg.com