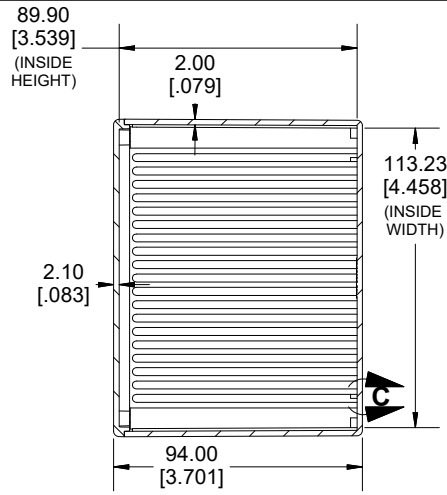
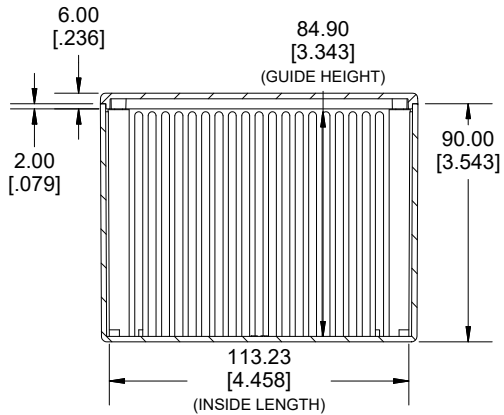
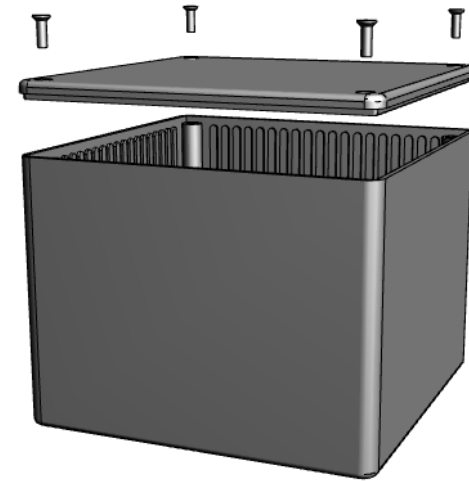


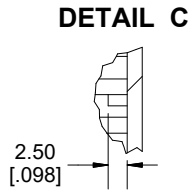
**TOP VIEW**



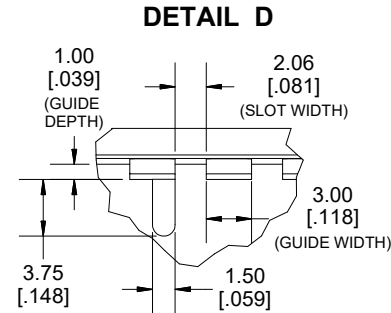
**SECTION A-A**



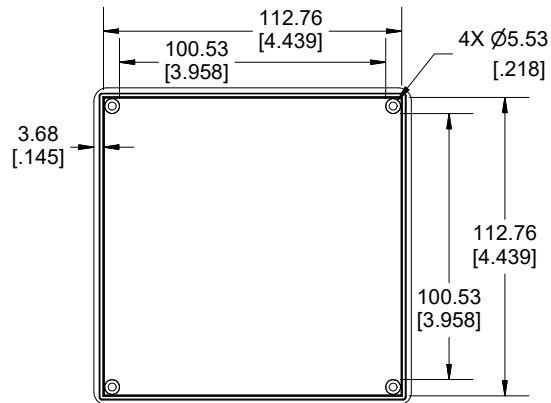
**SECTION B-B  
SIDE VIEW**



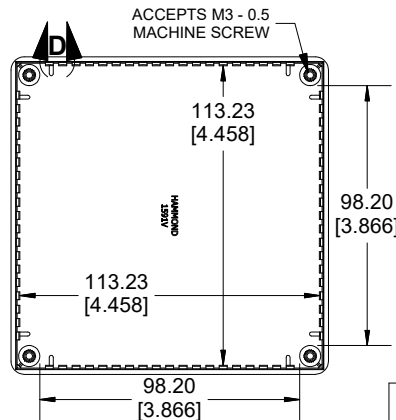
**DETAIL C**



**DETAIL D**



**INSIDE LID**



**INSIDE BOX**

**Dimensions:**  
mm  
[inches]

Enclosures can be Factory Modified (Milling, Drilling, Printing etc.)  
Contact Factory (modshop@hammfg.com) for quotes  
Solid models of this enclosure available in .stp or .x\_t  
(Part number and text placement/orientation on our products are subject to change,  
we do not recommend using them as a locating reference for modification purposes)

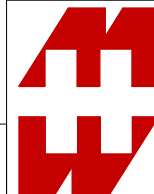
**NOTE**

Purchased assembly includes box, lid, 4 cover screws, and pre-installed brass inserts.  
Enclosure made from FRABS or Polycarbonate.

**Recommended Torque: 42-57 ozf.in (30-40 cN.m)**

**PART NUMBERS**

1591V Enclosure		
Material	Colour	Part Number
FR ABS UL94 -V0	Beige	1591VBG
	Black	1591VBK
	Blue	1591VBU
	Grey	1591VGY
Accessories		
Plated Cover screw		1591MS100 (Silver)
M3 - 0.5 X 10mm (100Pkg)		1591MS100BK (Black)
PC Board Card Adapters		1591Z6 (6Pkg)
		1591Z50 (50 Pkg)
		1591Z100 (100Pkg)
Nylon Belt / Pocket clip		1599CLIP (Black)
		1599CLIPGY (Grey)
Clear Lids - Flame Retardant		1591VC
Polycarbonate - Lid ONLY		



**HAMMOND  
MANUFACTURING.**  
**1591V**

www.hammondmfg.com