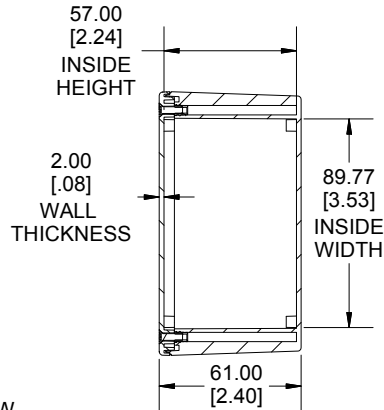
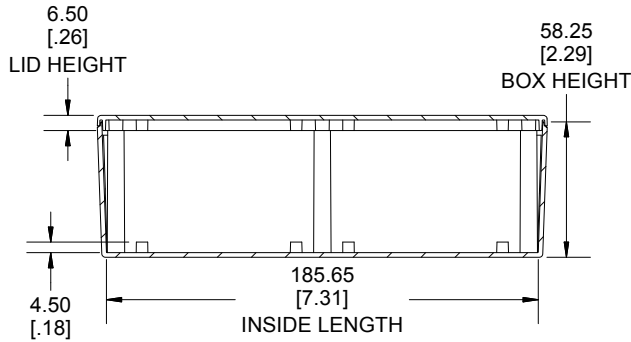


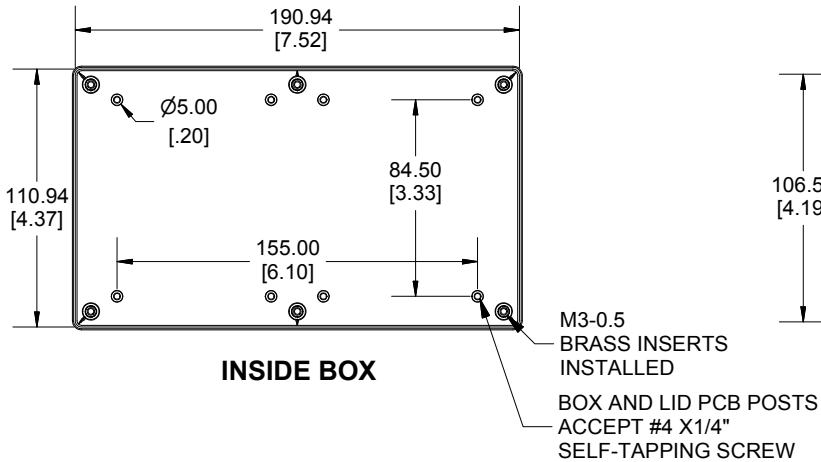
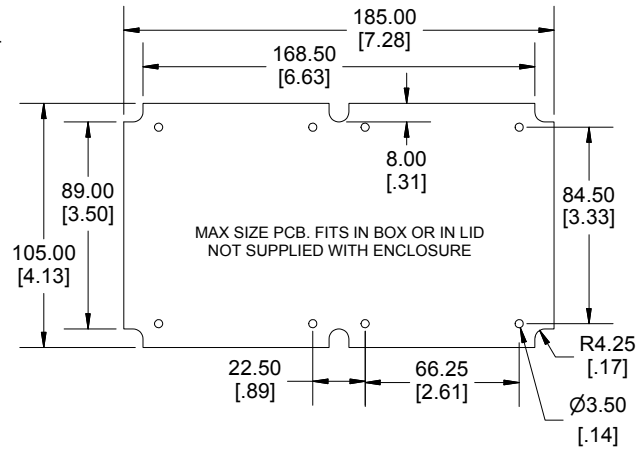
TOP VIEW



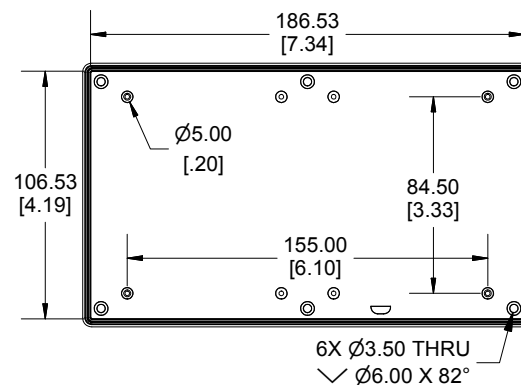
**SECTION B-B
END VIEW**



**SECTION A-A
SIDE VIEW**



INSIDE BOX



INSIDE LID

Dimensions:
mm
[inches]

Enclosures can be Factory Modified (Milling, Drilling, Printing etc.)
Contact Factory mjm@hammondmfg.com for quotes
Solid models of this enclosure available in STEP or IGES.
(Part number and text placement/orientation on our products are subject to change,
we do not recommend using them as a locating reference for modification purposes)

NOTE	
Tab dimensions show maximum size, tab may vary.	
Purchased assembly includes box, lid, 6 cover screws and installed brass inserts.	
Enclosure molded from FRABS UL 94-V0 Plastic.	
Other materials / colours available consult factory.	
Recommended Torque : (43-50) Ozf.in / (30-35) cN.m	

PART NUMBERS	
1591XXE Enclosure	
Black Textured Enclosure	1591XXEBK
Gray Textured Enclosure	1591XXEGY
Translucent Blue Textured Enclosure	1591XXETBU
ACCESSORIES	
Black Cover Screws [M3-0.5 X 10mm]	1591MS100BK (Pkg 100)
Plated Cover Screws [M3-0.5 X 10mm]	1591MS100 (Pkg 100)
Black ABS Mounting Flange	1591FEBK
Grey ABS Mounting Flange	1591FEGY
P.C. Board Screws	1593ATS50 (Pkg 50)
#4 x 1/4" self-tapping (6.4mm)	1593ATS100 (Pkg 100)

**HAMMOND
MANUFACTURING®**

1591XXE

www.hammondmfg.com