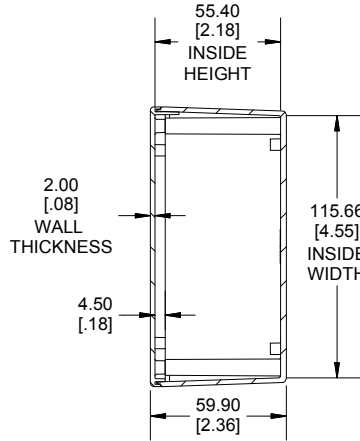
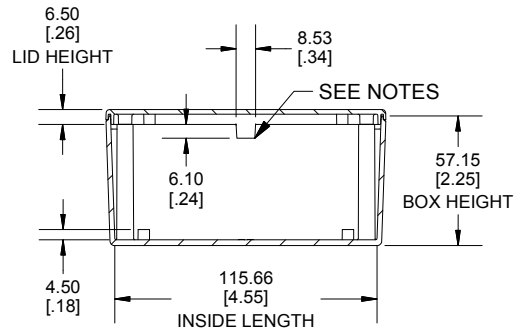
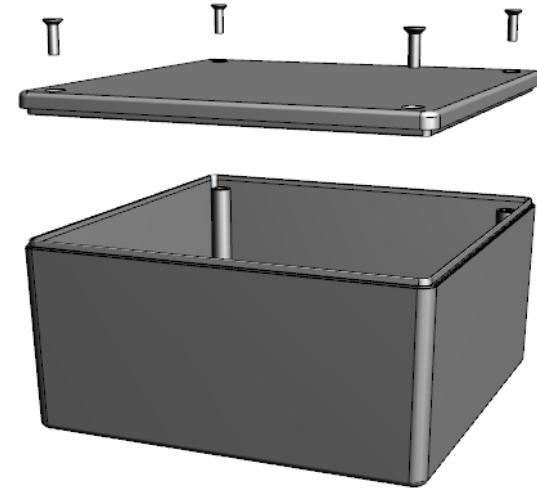


**TOP VIEW**

M3-0.5 X 10mm  
MACHINE SCREW

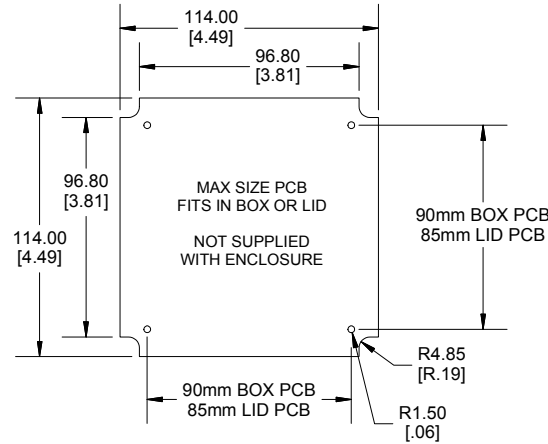


**SECTION B-B  
END VIEW**



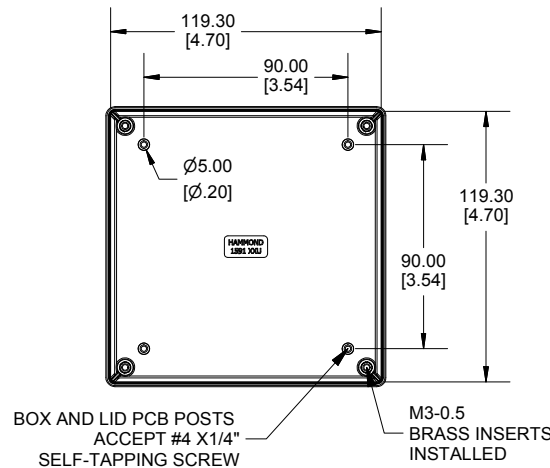
**SECTION A-A  
SIDE VIEW**

SEE NOTES



MAX SIZE PCB  
FITS IN BOX OR LID  
NOT SUPPLIED  
WITH ENCLOSURE

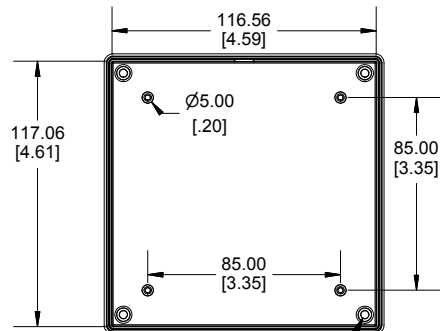
90mm BOX PCB  
85mm LID PCB



**INSIDE BOX**

BOX AND LID PCB POSTS  
ACCEPT #4 X 1/4"  
SELF-TAPPING SCREW

M3-0.5  
BRASS INSERTS  
INSTALLED



**INSIDE LID**

Ø3.50 THRU  
∨ Ø6.00 X 90.0°

Dimensions:  
mm  
[inches]

Enclosures can be Factory Modified ( Milling, Drilling, Printing etc.)  
Contact Factory [mjm@hammondmfg.com](mailto:mjm@hammondmfg.com) for quotes  
Solid models of this enclosure available in STEP or IGES.  
(Part number and text placement/orientation on our products are subject to change,  
we do not recommend using them as a locating reference for modification purposes)

NOTE	
Tab dimensions show maximum size, tab may vary.	
Purchased assembly includes box, lid, 4 cover screws and installed brass inserts.	
Enclosure molded from FRABS UL 94-V0 Plastic.	
Other materials / colours available consult factory.	
Recommended Torque : (43-50) Ozf.in / (30-35) cN.m	

PART NUMBERS	
1591XXU Enclosure	
Black Textured Enclosure	1591XXUBK
Gray Textured Enclosure	1591XXUGY
ACCESSORIES	
Black Cover Screws [M3-0.5 X 10mm]	1591MS100BK (Pkg 100)
Plated Cover Screws [M3-0.5 X 10mm]	1591MS100 (Pkg 100)
Black ABS Mounting Flange	1591FUBK
Grey ABS Mounting Flange	1591FUGY
P.C. Board Screws	1593ATS50 (Pkg 50)
#4 x 1/4" self-tapping (6.4mm)	1593ATS100 (Pkg 100)

**HAMMOND  
MANUFACTURING®**

**1591XXU**

[www.hammondmfg.com](http://www.hammondmfg.com)