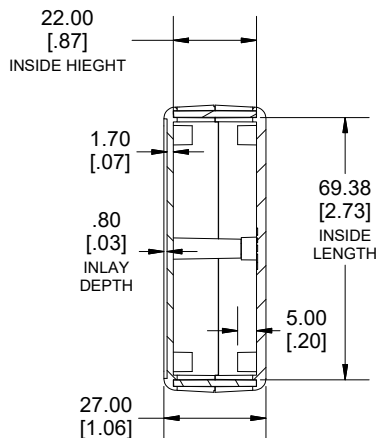
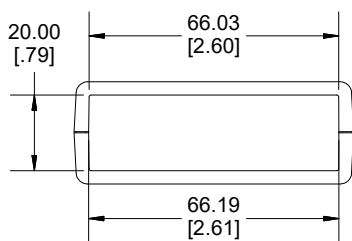


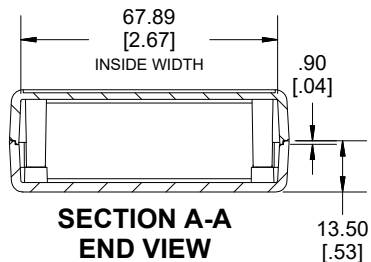
**TOP VIEW**



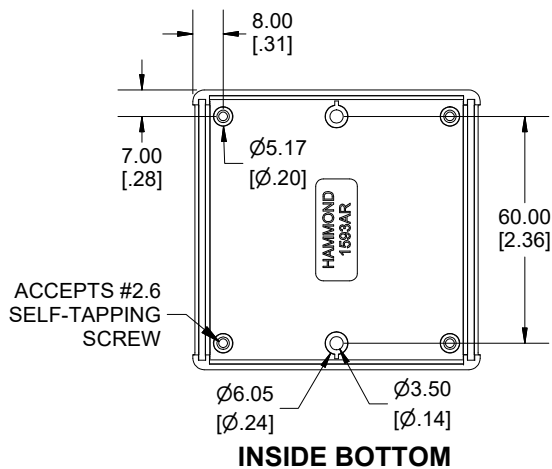
**SECTION B-B  
SIDE VIEW**



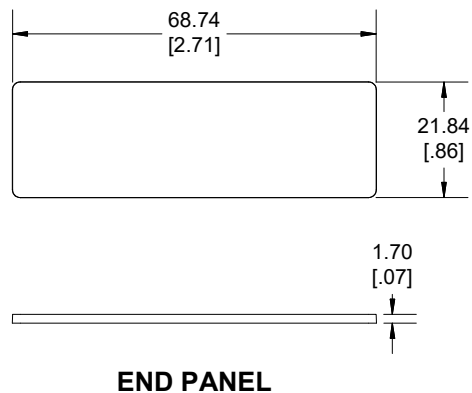
**END VIEW**



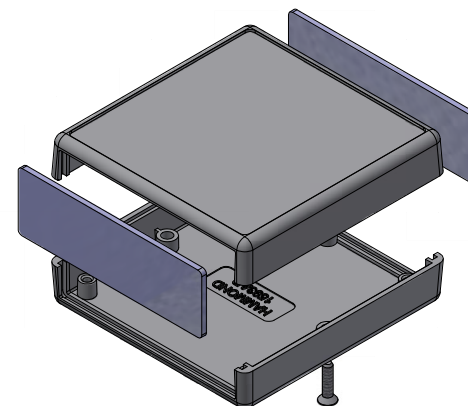
**SECTION A-A  
END VIEW**



**INSIDE BOTTOM**



**END PANEL**

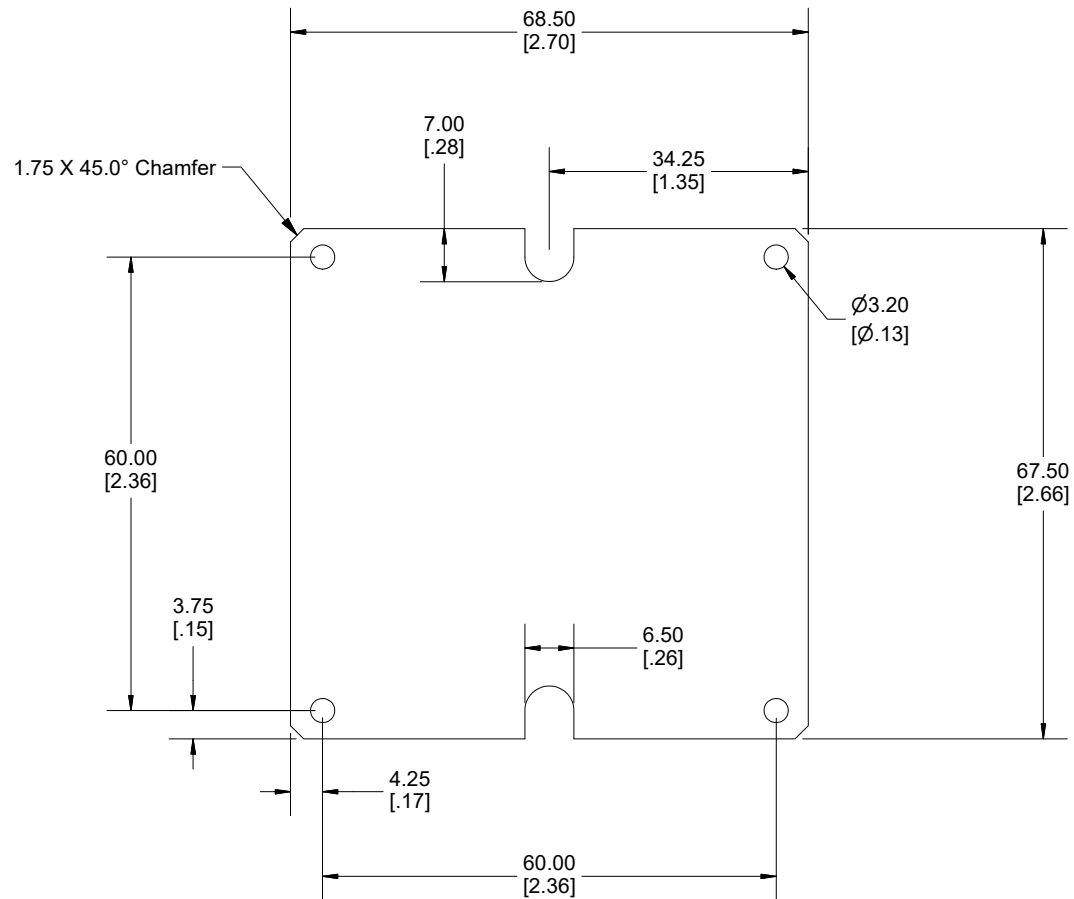


Enclosures can be Factory Modified (Milling, Drilling, Printing etc.)  
 Contact Factory (modshop@hammfg.com) for quotes  
 Solid models of this enclosure available in .stp or .x\_t  
 (Part number and text placement/orientation on our products are subject to change,  
 we do not recommend using them as a locating reference for modification purposes)

<b>NOTE</b>	
Enclosure molded from GP ABS (UL94-HB) plastic. Purchased assembly includes top and bottom cover, 2 flat panels for front and rear and 2 cover screws.	
<b>Recommended Torque: Cover screws - 40 cN-m [57 ozf-in] Internal mounting screws - 20-30 cN-m [29-42 ozf-in]</b>	
<b>1593</b>	
<b>1593AR Regular Enclosure</b>	
Black Enclosure	1593ARBK
Grey Enclosure	1593ARGY
Translucent Blue Enclosure	1593ARTBU
<b>ACCESSORIES</b>	
Cover Screws #4 X 1/2" Self-Tapping (100 Pkg)	1591TS100 (Silver)
	1591TS100BK (Black)
P.C. Board Screws M2.6 X6mm Self-Tapping	SC519-50 (Pkg 50)
Nylon Belt Clip	1599CLIP (Black)
	1599CLIPGY (Grey)
1593AR STD FLAT PANEL (SINGLE PANEL)	Black 1593ARL1BK-10
	Grey 1593ARL1GY-10
	Translucent Blue 1593ARL1TBU-10
	Infrared 1593ARIR10
	Aluminum 1593ARAL10
1593AR STD CONTOURED PANEL (SINGLE PANEL)	Black 1593ARL2BK-10
	Grey 1593ARL2GY-10
	Translucent Blue 1593ARL2TBU-10

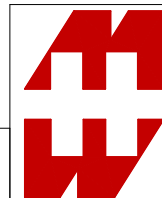
**Dimensions:**  
mm  
[inches]

**HAMMOND  
MANUFACTURING®**  
**1593AR**  
www.hammondmfg.com



**MAX RECOMMENDED PCB SIZE**  
 (NOT SUPPLIED WITH ENCLOSURE,  
 NOT AVAILABLE FOR PURCHASE)

Dimensions:  
 mm  
 [inches]



**HAMMOND  
 MANUFACTURING.**  
 DESIGN RESOURCE  
 1593AR PCB  
[www.hammondmfg.com](http://www.hammondmfg.com)