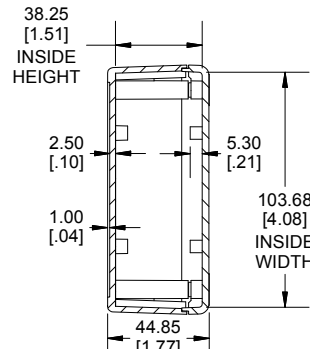
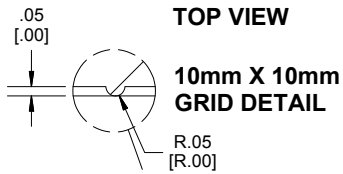


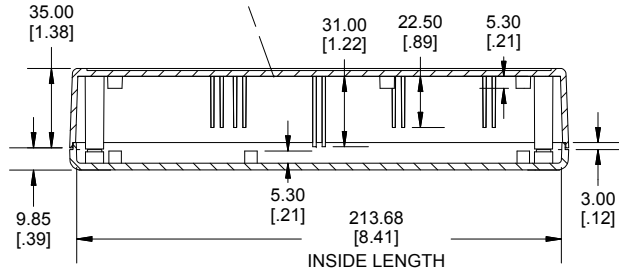
TOP VIEW



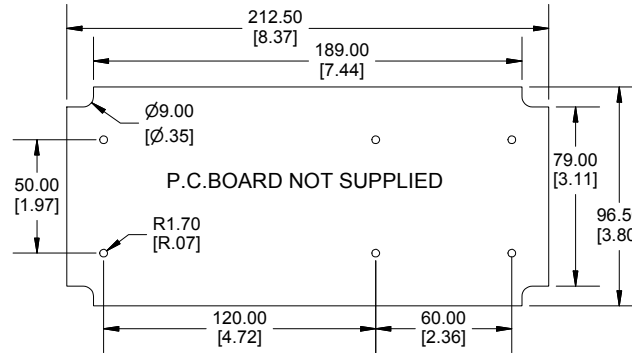
END VIEW SECTION A-A



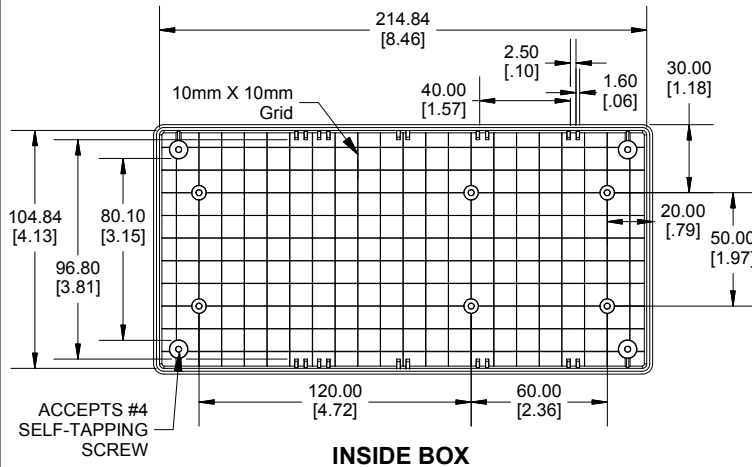
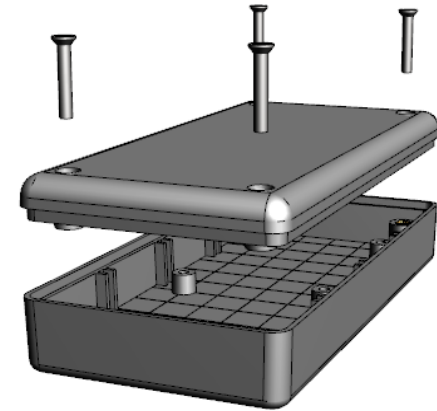
10mm X 10mm GRID DETAIL



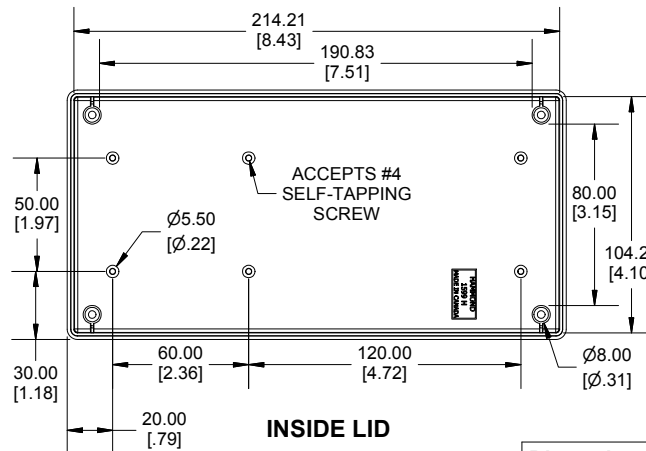
SIDE VIEW SECTION B-B



MAXIMUM P.C. BOARD



INSIDE BOX



INSIDE LID

Enclosures can be Factory Modified (Milling, Drilling, Printing etc.)
 Contact Factory mjm@hammondmfg.com for quotes
 Solid models of this enclosure available in STEP or IGES.
 (Part number and text placement/orientation on our products are subject to change,
 we do not recommend using them as a locating reference for modification purposes)

NOTE

Purchased assembly includes box, lid and 4 cover screws. Box and Lid are made from General Purpose ABS

Recommended Torque: 42-57 ozf.in (30-40 cN.m)

PART NUMBERS

1599HS General Purpose ABS

Grey GP-ABS	1599HSGY
-------------	----------

ACCESSORIES

Cover Screws (Pkg 100)	1593MS100 (Grey)
[#4 x 5/8" Self-tapping Screw]	1593ATS50
P.C Board Screws (Pkg of 50 or 100)	1593ATS100
[#4 x 1/4" Pan Head Self Tapping Screws]	1599CLIP (Black)
Nylon Belt Clip	1599CLIPGY (Grey)
ABS Divider Panel Grey	1599HD

Dimensions:
 mm
 [inches]

HAMMOND MANUFACTURING
1599HS
www.hammondmfg.com