

**Technical specification/
Technische Daten:**

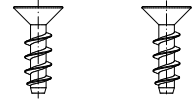
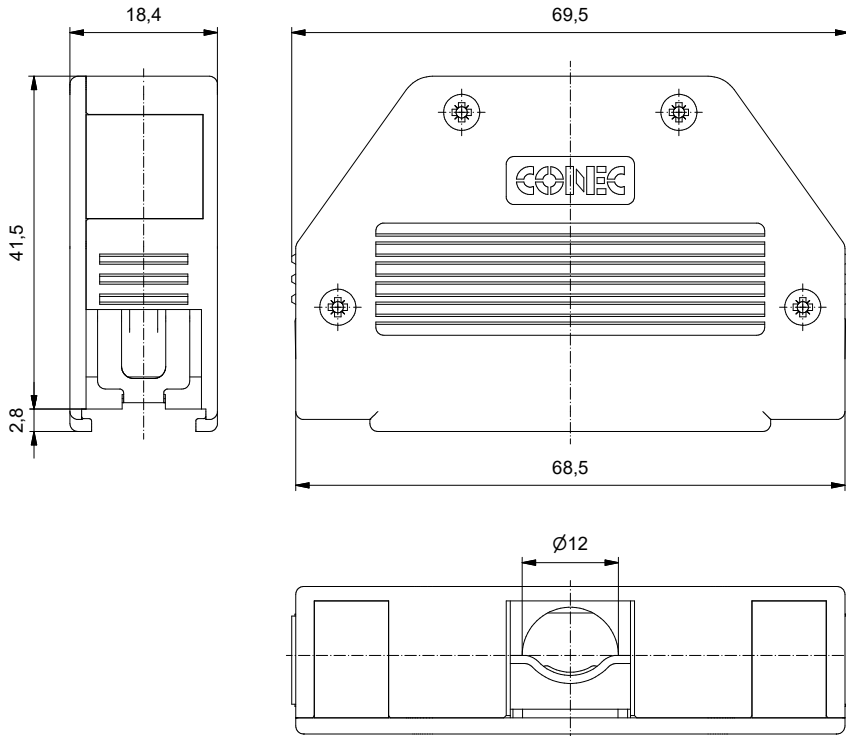
d Temperature range/
Temperaturbereich: - 35 °C ... + 85 °C

**Materials/
Werkstoffe:**

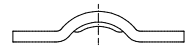
Hood/
Haube: ABS UL 94 V-0, Ni
Blanking plug/
Blindstopfen: ABS UL 94 V-0, Ni
Cable strain relief/
Zugentlastung: Steel, Ni
Clip/
Clip: Stainless Steel/
Edelstahl
Countersunk-head screw/
Linsenkopfschraube: Steel, Ni

**Installation specification/
Montagedaten:**

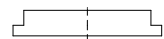
Cable outlet/
Kabelausgang: side/seitlich
Recommended torque/
Empfohlenes Drehmoment
Housing/Gehäuse: 0,30 Nm
Cable strain relief/
Zugentlastung: 0,35 Nm



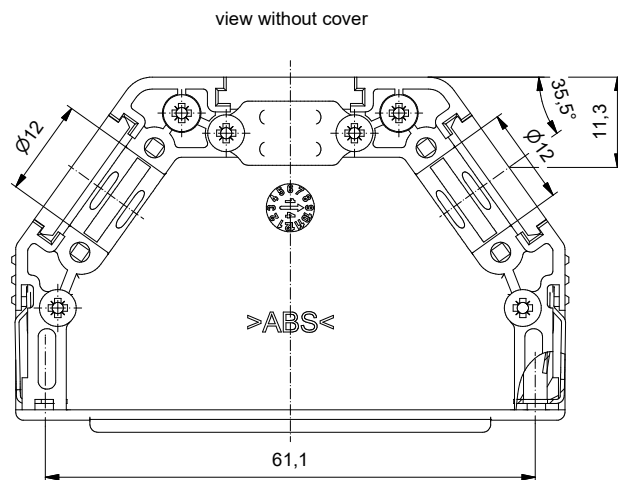
COUNTERSUNK HEAD SCREWS
(6x)



CABLE STRAIN RELIEF



BLANKING PLUG
(2x)



Part no./
Art.-Nr.
16-001790

Index: d Ä22-0139 24.06.22 JLE	scale/ Maßstab: 1,5:1		dim. in mm	Plastic Hood 50 pos. with snap lock / top and two side cable exit Kunststoffhaube 50 pol. mit Schnellverriegelung und seitlichen Kabelausgang	DIN-A3
			dwg no / Z.-nr.:		
RoHS compliant/ konform			Date/ Datum: 25.09.2014 Name: Henneboel drawn/ gezt: 25.09.2014 appd./ gepr.: Strakerjahn		1 / 1

This reproduction, distribution and utilization of this document as well as the communication of its contents to others without express authorization is prohibited. Offenders will be held liable for the payment of damages. For further information on our copyright and liability issues, please refer to our website: www.conec.com.