

**Technical specification/  
Technische Daten:**

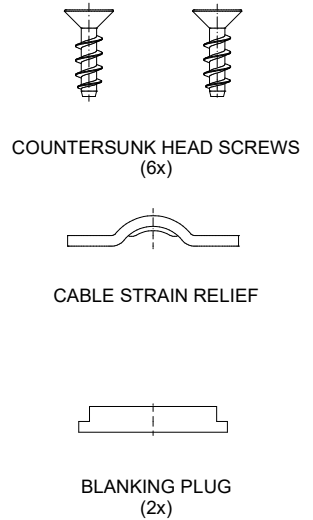
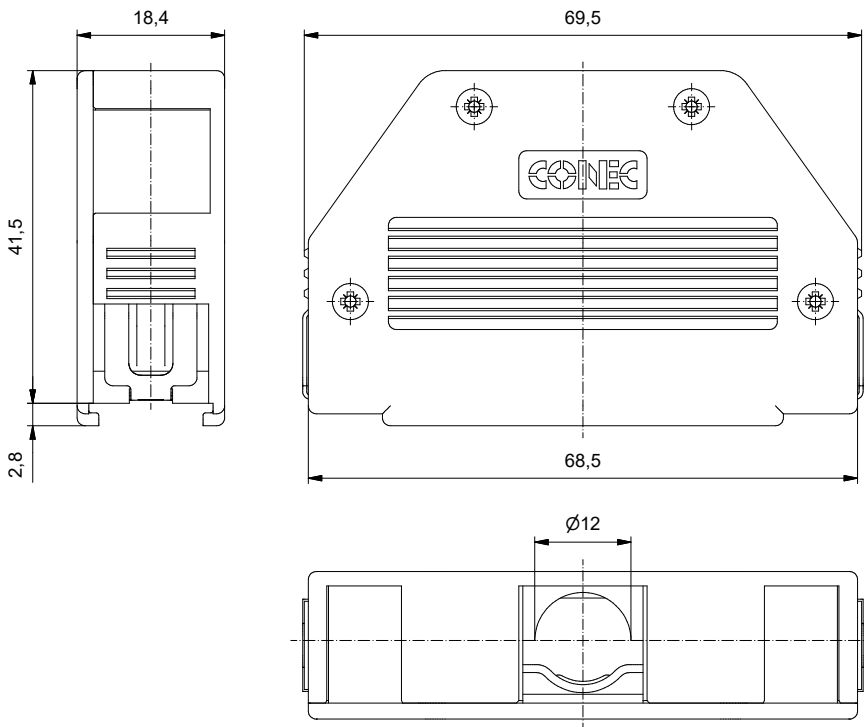
(d) Temperature range/  
Temperaturbereich: - 35 °C ... + 85 °C

**Materials/  
Werkstoffe:**

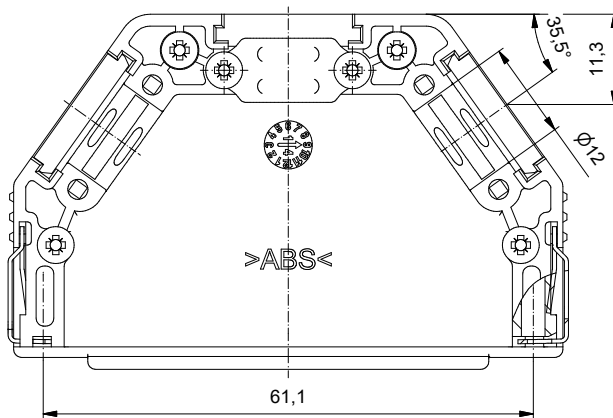
Hood/  
Haube: ABS UL 94 V-0, black/schwarz  
Blanking plug/  
Blindstopfen: ABS UL 94 V-0, black/schwarz  
Cable strain relief/  
Zugentlastung: Steel, Ni  
Clip/  
Clip: Stainless Steel/  
Edelstahl  
Countersunk-head screw/  
Linsenkopfschraube: Steel, Ni

**Installation specification/  
Montagedaten:**

Cable outlet/  
Kabelausgang: side/seitlich  
Recommended torque/  
Empfohlenes Drehmoment  
Housing/Gehäuse: 0,30 Nm  
Cable strain relief/  
Zugentlastung: 0,35 Nm



view without cover



Part no./  
Art.-Nr.  
16-001850

Index: d Ä22-0139 21.06.22 JLE	scale/ Maßstab: 1,5:1		dim. in mm		Plastic Hood 50 pos. with snap lock / top and two side cable exit Kunststoffhaube 50 pol. mit Schnellverriegelung und seitlichen Kabelausgang	dwg no / Z.-nr.: 16K1A3137	DIN- A3
			Date/ Datum	Name			
RoHS compliant/ konform			drawn/ gez.	12.11.2012	Strakerjahn		
			appd./ gepr.	06.05.2014	Koch		

This reproduction, distribution and utilization of this document as well as the communication of its contents to others without express authorization is prohibited. Offenders will be held liable for the payment of damages. For further information on our copyright and liability policies, please refer to our website: www.conec.com.