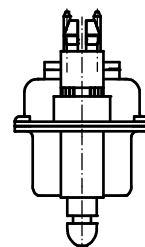
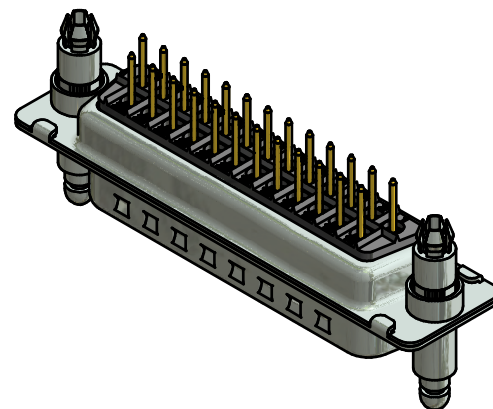
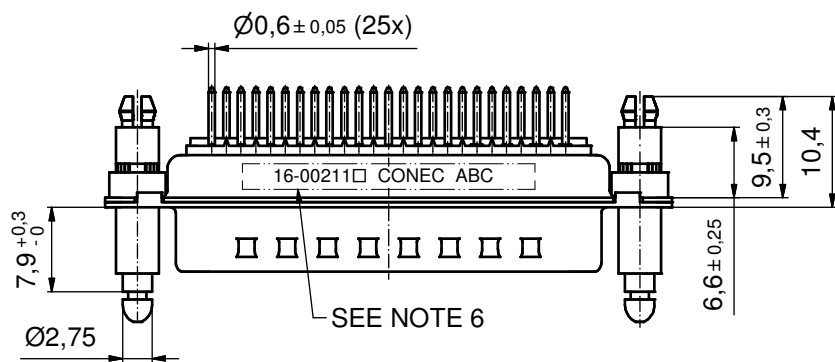
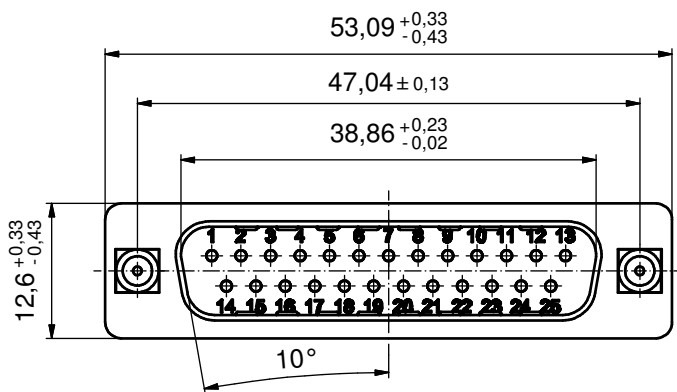
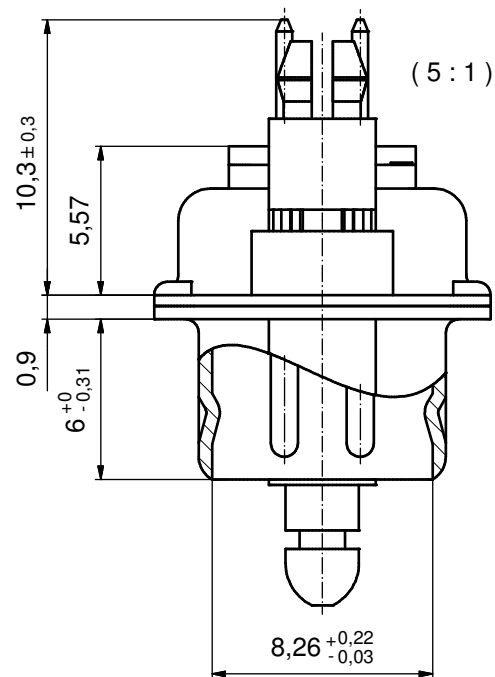


P.C.B. HOLE DRILLINGS  
(P.C.B. TOP SIDE)



NOTES:

- METALSHELLS: STEEL; min. 315µin TIN over 40-80µin NICKEL
- INSULATORS: PBT GF UL 94 V-0; BLACK
- CONTACTS: COPPER ALLOY; PLATING (SEE PART NO.):  
□ PLEASE ADD 1 for 30µin HARD GOLD over min. 50µin NICKEL  
□ PLEASE ADD 3 for GOLD FLASH over NICKEL
- SNAP-LOCK AND SPACER CLIPS: COPPER ALLOY;  
min. 200µin TIN over 80µin NICKEL  
PCB-HOLE:  $\varnothing 3,1 \pm 0,1$ mm; PCB-THICKNESS: 1,6mm
- COLLARS: COPPER ALLOY; min. 200µin over 80µin NICKEL
- CONNECTOR IS PART MARKED: 16-00211□ CONEC ABC

Directive 2002/95/EC RoHS compliant

THIS DRAWING MAY NOT BE COPIED OR REPRODUCED IN ANY WAY, AND MAY NOT BE PASSED ON TO A THIRD PARTY WITHOUT WRITTEN PERMISSION. OWNERSHIP AND COPYRIGHT OF CONEC GmbH DO NOT ALTER CAD DRAWING BY HAND	tolerance			dim. in mm	scale: 2:1 (5:1)	
					material: SEE NOTES	
				date	name	
				drawn	29.09.14 Henneboel	
				appd.	29.09.14 Strakerjahn	
				norm		
			d-old			
			title:			
			<b>D-SUB MALE</b> 25pos. SOLDER PIN STRAIGHT with snap-lock and spacer clip			
			dwg no:		DIN-A3	
			16K1A3536		sh: 1	
			part no: 16-00211□ (see note 3)			
rev.	description	date	name			