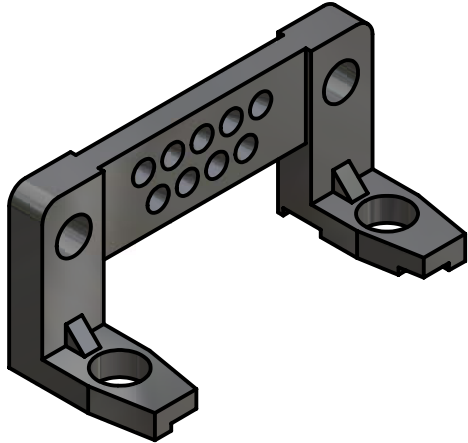


Directive 2002/95/EC
"RoHS"
Compliant

APPROVAL # FREIGABE # DEBLOCAGE # AUTORIZACION # APPROVAL	
CUSTOMER APPROVAL DATE:	
NAME:	TITLE:
COMPANY NAME:	
APPROVAL # FREIGABE # DEBLOCAGE # AUTORIZACION # APPROVAL	



THIS DRAWING MAY NOT BE COPIED OR REPRODUCED IN ANY WAY, AND MAY NOT BE PASSED ON TO A THIRD PARTY WITHOUT WRITTEN PERMISSION. OWNERSHIP AND COPYRIGHT OF CONEC GmbH	DO NOT ALTER CAD DRAWING BY HAND				tolerance		dim. in mm	scale: 2:1		
								material: PBT GF UL 94 V-0 black		
					date		title: PLASTIC BRACKET with centering for 9pos.		DIN-A4	
					name					
					drawn					
					appd.		15.12.08		sh: 1	
					norm		Inventor 10			
				d-old		16K1A2431		part no: 160X10069X		
				a		Origin				
				rev.		description				date
				name						