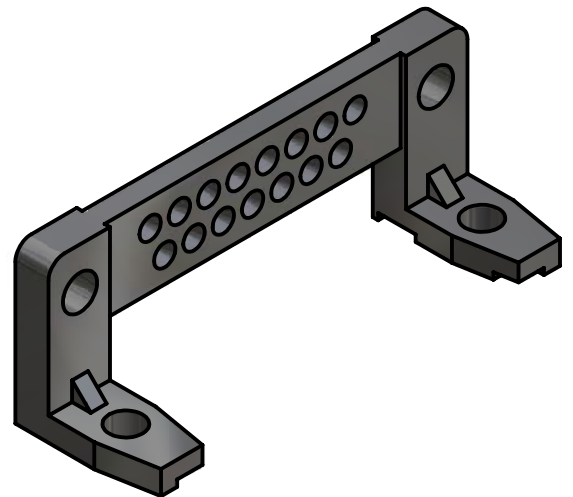


Directive 2002/95/EC
"RoHS"
Compliant



APPROVAL # FREIGABE # DEBLOCAGE # AUTORIZACION # APPROVAL	APPROVAL # FREIGABE # DEBLOCAGE # AUTORIZACION # APPROVAL
CUSTOMER APPROVAL DATE:	
NAME:	TITLE:
COMPANY NAME:	
APPROVAL # FREIGABE # DEBLOCAGE # AUTORIZACION # APPROVAL	APPROVAL # FREIGABE # DEBLOCAGE # AUTORIZACION # APPROVAL

THIS DRAWING MAY NOT BE COPIED OR REPRODUCED IN ANY WAY, AND MAY NOT BE PASSED ON TO A THIRD PARTY WITHOUT WRITTEN PERMISSION. OWNERSHIP AND COPYRIGHT OF CONEC GmbH	DO NOT ALTER CAD DRAWING BY HAND				tolerance		dim. in mm	scale: 2:1		
					material: PBT GF UL 94 V-0 black			title: PLASTIC BRACKET with centering for 15pos.		
					date	name	dwg no: Inventor 10 16K1A2432 part no: 160X10079X			
					drawn	12.12.08				Lehmenkühler
					appd.	15.12.08				Mickenbecker
					norm			DIN-A4		
					d-old			sh: 1		
a	Origin									
rev.	description	date	name							