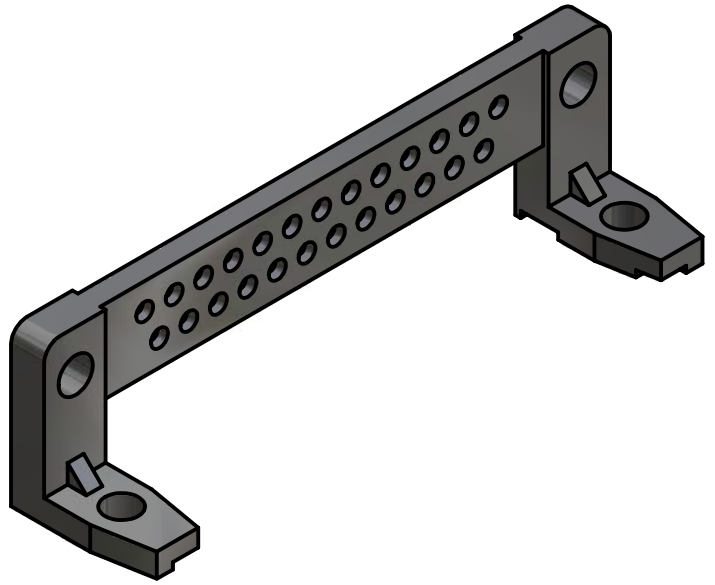


Directive 2002/95/EC  
"RoHS"  
Compliant

APPROVAL # FREIGABE # DEBLOCAGE # AUTORIZACION # APPROVAL	
CUSTOMER APPROVAL DATE:	
NAME:	TITLE:
COMPANY NAME:	
APPROVAL # FREIGABE # DEBLOCAGE # AUTORIZACION # APPROVAL	



THIS DRAWING MAY NOT BE COPIED OR REPRODUCED IN ANY WAY, AND MAY NOT BE PASSED ON TO A THIRD PARTY WITHOUT WRITTEN PERMISSION. OWNERSHIP AND COPYRIGHT OF CONEC GmbH	DO NOT ALTER CAD DRAWING BY HAND				tolerance		dim. in mm	scale: 2:1		
					material: PBT GF UL 94 V-0 black					
					date		name		title: <b>PLASTIC BRACKET</b> with centering for 25pos.	
					drawn	12.12.08	Lehmenkühler			
					appd.	15.12.08	Mickenbecker			
					norm				dwg no: Inventor 10 16K1A2433	
					d-old					
				a		Origin		DIN-A4 sh: 1		
rev.	description	date	name			part no: 160X10089X				