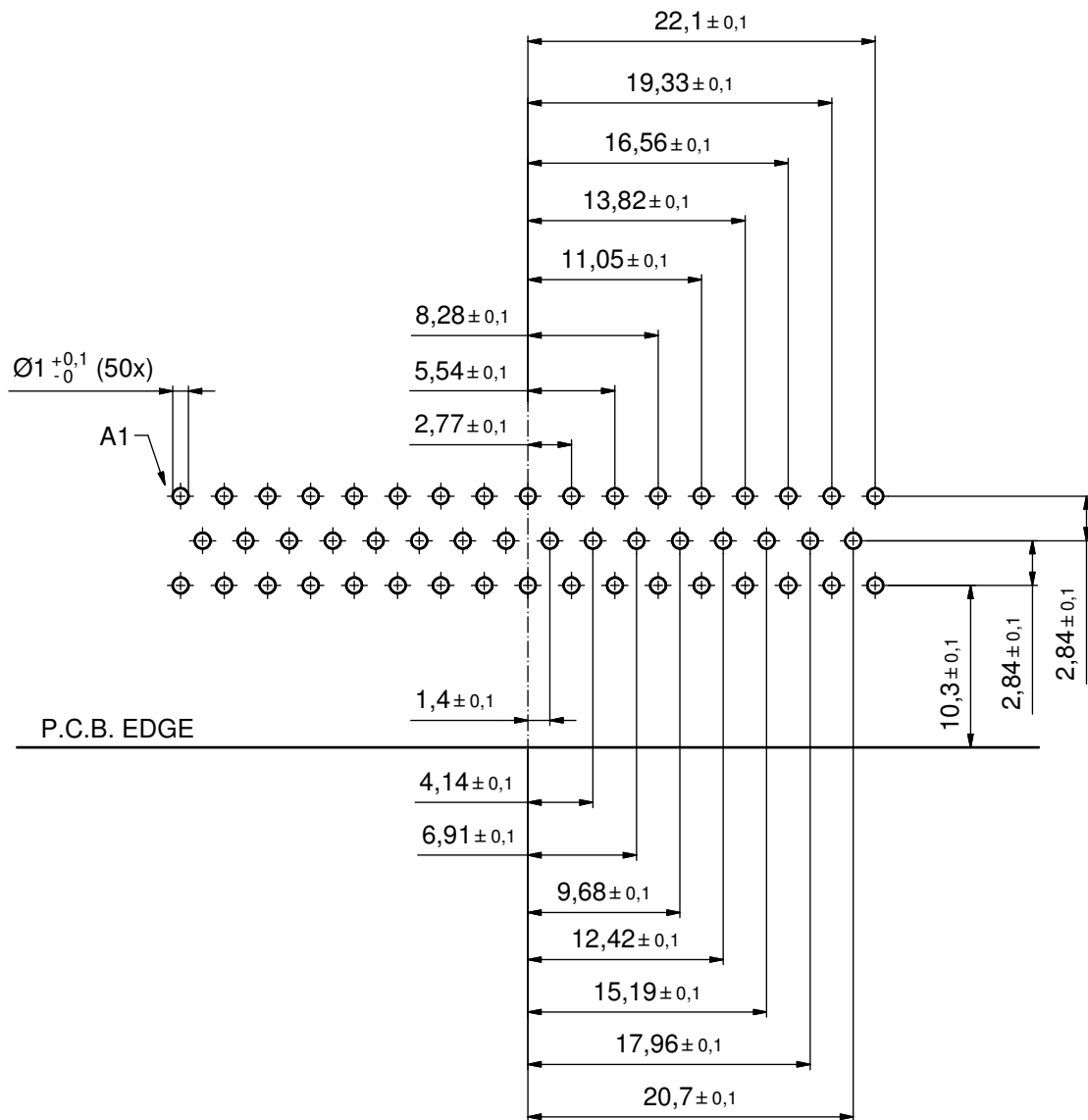


- NOTES:**
1. METALSHELLS: STEEL; min. 315µin TIN over 40-80µin NICKEL
 2. INSULATORS: PBT GF UL 94 V-0, BLACK
 3. CONTACTS: COPPER ALLOY
PLATING: GOLD FLASH over NICKEL
 4. FIXING-PLATE: PBT GF UL 94 V-0, BLACK
 5. CONNECTOR IS PART MARKED: 163A11259X CONEC ABC

Directive 2002/95/EC RoHS compliant

THIS DRAWING MAY NOT BE COPIED OR REPRODUCED IN ANY WAY, AND MAY NOT BE PASSED ON TO A THIRD PARTY WITHOUT WRITTEN PERMISSION. OWNERSHIP AND COPYRIGHT OF CONEC GmbH DO NOT ALTER CAD DRAWING BY HAND	tolerance			 dim. in mm	scale: 2:1 (5:)		
	material: SEE NOTES				title: D-SUB MALE 50pos. 0.370inch		
	date	name		drawn	25.11.11	Henneboel	dwg no: 16K1A2895 part no: 163A11259X
	appd.	Fischer		appd.	25.11.11	Fischer	
	norm			d-old			
	rev.	a	OriginAL				
description	date	name			DIN-A3		
					sh: 1		

P.C.B. HOLE DRILLINGS
(P.C.B. TOP SIDE)



THIS DRAWING MAY NOT BE COPIED OR REPRODUCED IN ANY WAY, AND MAY NOT BE PASSED ON TO A THIRD PARTY WITHOUT WRITTEN PERMISSION. OWNERSHIP AND COPYRIGHT OF CONEC GmbH DO NOT ALTER CAD DRAWING BY HAND				tolerance	dim. in mm	scale: 3:1		
				date		name	material: SEE SHEET 1	
				drawn	25.11.11	Henneboel	title: P.C.B. HOLE DRILLINGS D-SUB MALE 90° 50pos. 0.370inch	
				appd.	25.11.11	Fischer		
				norm				
				d-old			dwg no:	
	a	OriginAL					16K1A2895	DIN-A3
	rev.	description	date				name	part no: SEE SHEET 1