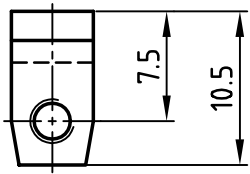
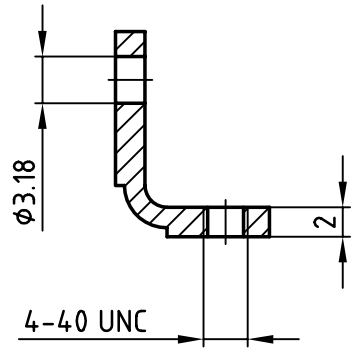
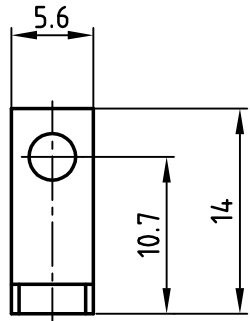


used for: D-SUB



APPROVAL # FREIGABE # DEBLOCAGE # AUTORIZACION # APPROVAL	
CUSTOMER APPROVAL DATE:	
NAME:	TITLE:
COMPANY NAME:	
APPROVAL # FREIGABE # DEBLOCAGE # AUTORIZACION # APPROVAL	

THIS DRAWING MAY NOT BE COPIED OR REPRODUCED IN ANY WAY, AND MAY NOT BE PASSED ON TO A THIRD PARTY WITHOUT WRITTEN PERMISSION.
 OWNERSHIP AND COPYRIGHT OF CONEC GmbH
 DO NOT ALTER CAD DRAWING BY HAND

tolerance			
2002	date	name	
drawn	18.10.	Parei	
appd.	18.10.	Mickenbecker	
norm			
d-old			
rev.	description	date	name

scale:	2:1
material:	
title: Mounting bracket Metal 9-37pos. 4-40 UNC	
dwg no:	AutoCAD 2000
16K1A783	
part no:	160X10579X
DIN-A 4 sh: 1/1	