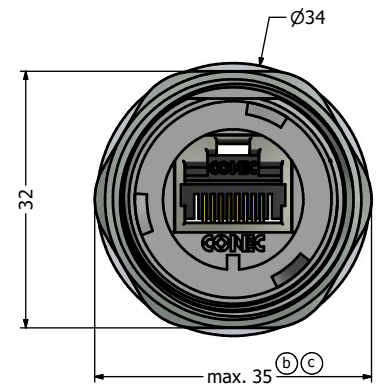
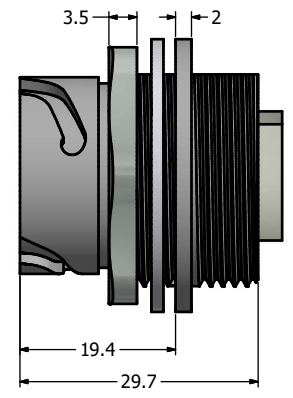
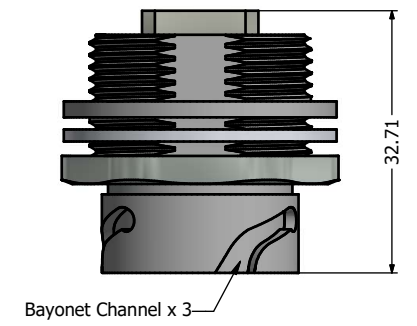
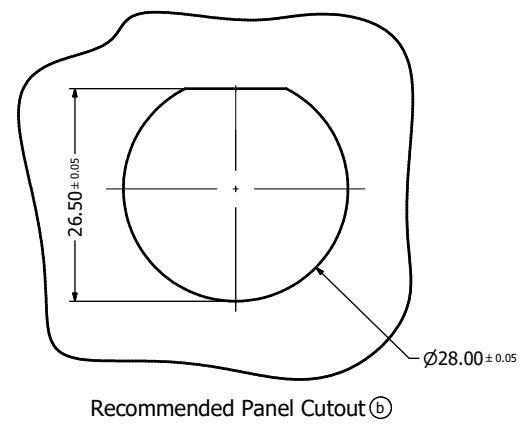
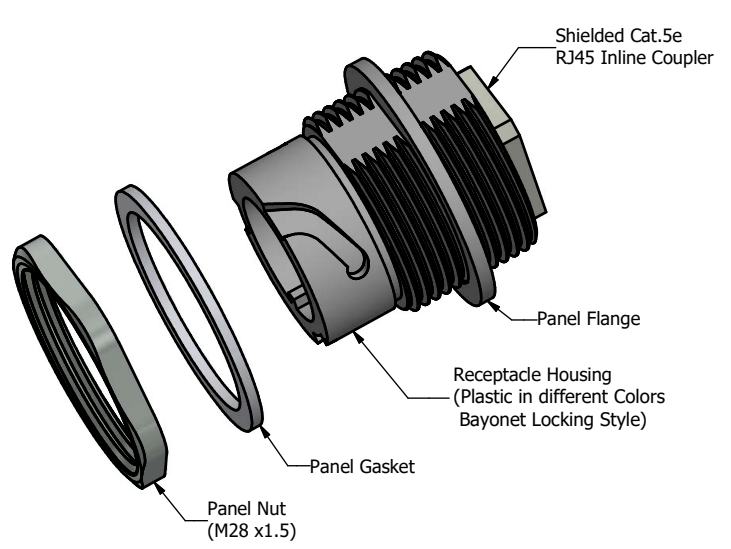


6 5 4 3 2 1



Notes:

1. Electrical Specifications:
 - Meets EIA/TIA-568-B.2 Cat.5e Specification
 - Contact Resistance: 20mOhm max.
 - Insulation Resistance: 500MOhm min. @ 100 VDC
 - Current Rating: 1.2A max. at 25° C
 - Working Voltage: 100 VDC
 - DWV: 1000 VDC/60s Contact to Contact, 1500 VDC/60s Contact to Metal Shell
 - Operating Temperature: -40° C to +85° C
2. Material and Finish:
 - Receptacle Housing: Polyester (Color: see Part Number Table); UL94 V-0
 - Panel Nut: Brass, Finish: Nickel Plated
 - Panel Gasket: Silicon, Color: White
 - Cat.5e RJ45 Inline Coupler Metal Shell: Copper Alloy, Nickel Plated
 - Cat.5e RJ45 Inline Coupler Plastic Housing: Glass filled PBT UL94 V-0, Color: Black
 - Cat5e RJ45 Inline Coupler Contacts: Phosphor Bronze, Finish: 50u" Gold min. over Nickel
3. Connector can be front or rear mounted to a maximum panel thickness of 3.2mm.
4. IP67 rated when covered or fully mated with the appropriate mating connector
5. RoHS compliant

RoHS compliant

Description	Colored Plastic Receptacle Housing with Shielded Cat.5e RJ45 Inline Coupler					
Plastic Receptacle Housing Color	Black	Blue	Green	Yellow	Red	White
Part Number	17-10009	17-102274	17-102284	17-102294	17-102304	17-102314

THIS DRAWING MAY NOT BE COPIED OR REPRODUCED IN ANY MANNER OR ON TO A THIRD PARTY WITHOUT WRITTEN PERMISSION FROM CONEC CORPORATION. OWNERSHIP AND COPYRIGHT OF CONEC CORPORATION.	Customer:			Tolerance Unless otherwise specified		Autodesk Inventor	Scale: 1.5:1	Dim. in mm
	Name	Title	Approval Date	0 PLC ±0.50	1 PLC ±0.38		Material: See Notes Title: Receptacle Assembly Kit Colored Plastic Receptacle Housing with Shielded Cat. 5e RJ45 Inline Coupler	Drawing No.: 17K1A180 Part No.: SEE ABOVE TABLE
				2 PLC ±0.25	3 PLC ±0.10			
				ANGLES ±3°				
	1 x c	A21-0426	26.10.2021	Bub	2011	Date	Name	
b		Mar/08/2011	Vincent Ke	Draw.	Jan. 08	Vincent Ke		
a	original			Appd.	Jan. 28	J. Chaudry		
Rev	Changes	Date	Name	Norm				

