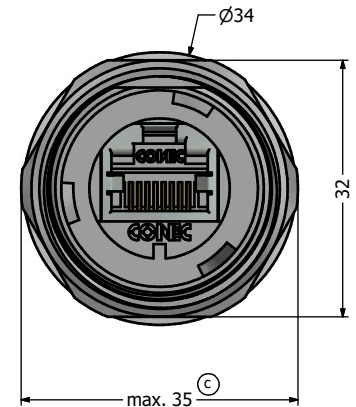
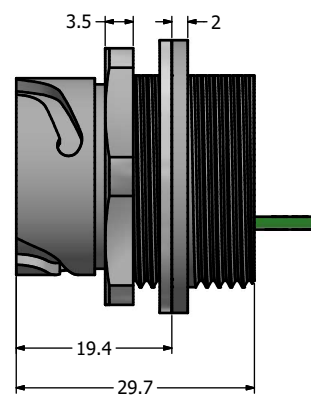


Recommended Panel Cutout (b)



Notes:

1. Electrical Specifications:
 - Meets EIA/TIA-568-B.2 Cat.5e Specification
 - Contact Resistance: 20mOhm max.
 - Insulation Resistance: 500MOhm min. @ 100 VDC
 - Current Rating: 1.2A max. at 25° C
 - Working Voltage: 100 VDC
 - DWV: 1000 VDC/60s Contact to Contact, 1500 VDC/60s Contact to Metal Shell
 - Operating Temperature: -40° C to +85° C
2. Material and Finish:
 - Receptacle Housing: Polyester (Color: See Part Number Table); UL94 V-0
 - Panel Nut: Brass, Finish: Nickel Plated
 - Panel Gasket: Silicon, Color: White
 - Cat.5e RJ45 PCB Jack Metal Shell: Copper Alloy, Nickel Plated
 - Cat.5e RJ45 PCB Jack Plastic Housing: Glass filled PBT UL94 V-0, Color: Black
 - Cat.5e RJ45 PCB Jack Contacts: Phosphor Bronze, Finish: 50u" Gold min. over Nickel
3. Connector can be front or rear mounted to a maximum panel thickness of 3.2mm.
4. IP67 rated when covered or fully mated with the appropriate mating connector
5. RoHS compliant

RoHS compliant

Description	Potted Colored Plastic Receptacle Housing with Shielded Cat.5e RJ45 PCB Jack					
Plastic Receptacle Housing Color	Black	Blue	Green	Yellow	Red	White
Part Number	17-10035	17-102524	17-102534	17-102544	17-102554	17-103034

THIS DRAWING MAY NOT BE COPIED OR REPRODUCED IN ANY MANNER WITHOUT THE WRITTEN PERMISSION OF CONEC CORPORATION AND COPYRIGHT OF CONEC CORPORATION	Customer:			Tolerance Unless otherwise specified			Scale: 1.5:1	Dim. in mm
	Name	Title	Approval Date	0 PLC ±0.50	1 PLC ±0.38		Autodesk Inventor	Material: See Notes
				2 PLC ±0.25	3 PLC ±0.10	2011 Date Name Draw. Feb. 08 Vincent Ke Appd. Feb. 08 J. Chaudry	Title: Potted Receptacle Assembly Kit Colored Plastic Receptacle Housing with Shielded Cat. 5e RJ45 PCB Jack	
	1 x c	Ä21-0426	29.10.2021	Bub	Norm	Drawing No.: 17K1A191		DIN A3
	b		Mar/08/2011	Vincent ke			Part No.: SEE PART NUMBER TABLE	Sheet 1/1
a	original							
Rev	Changes	Date	Name					