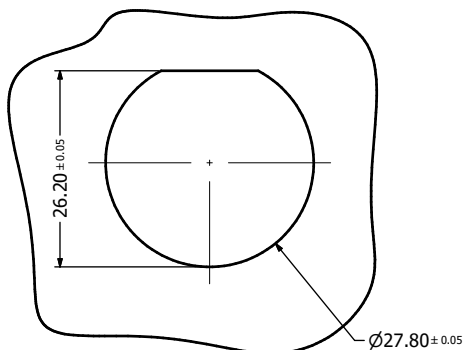
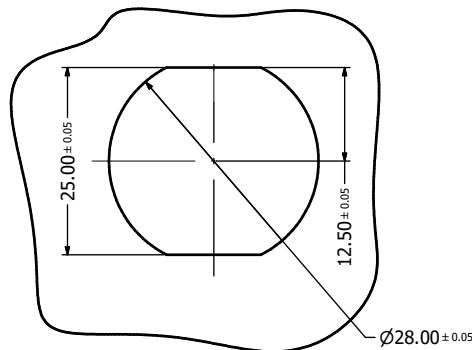


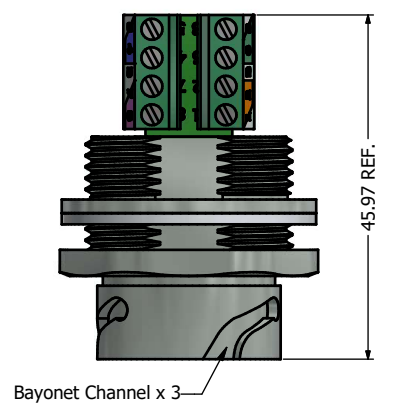
6 5 4 3 2 1



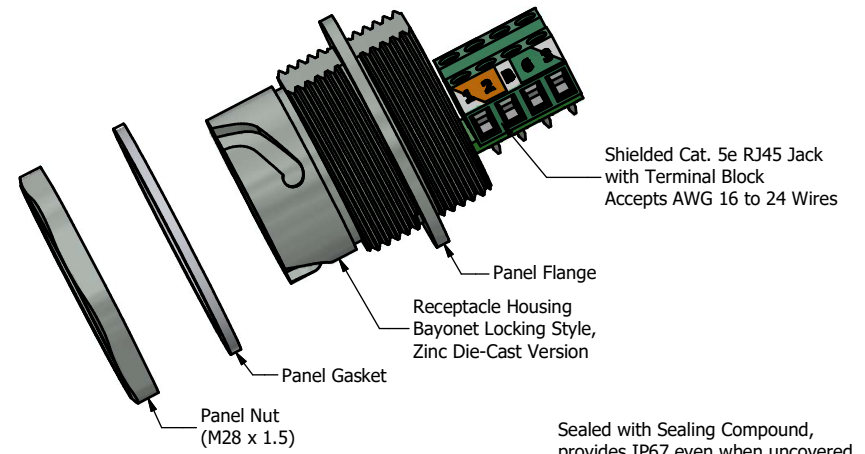
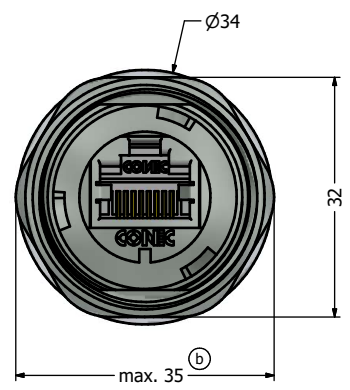
Recommended Single-D Panel Cutout



Recommended Double-D Panel Cutout



Bayonet Channel x 3



Shielded Cat. 5e RJ45 Jack with Terminal Block Accepts AWG 16 to 24 Wires

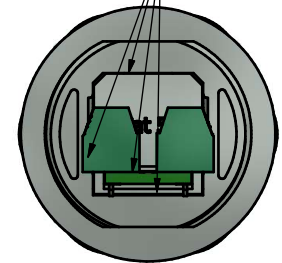
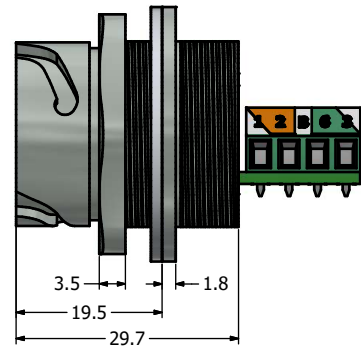
Panel Flange

Receptacle Housing Bayonet Locking Style, Zinc Die-Cast Version

Panel Gasket

Panel Nut (M28 x 1.5)

Sealed with Sealing Compound, provides IP67 even when uncovered (For potted version only)



**Notes:**

1. Electrical Specifications:
  - Meets EIA/TIA-568-B.2 Cat. 5e Specification
  - Contact Resistance: 20mOhm max.
  - Insulation Resistance: 500MOhm min. @ 100 VDC
  - Current Rating: 1.2A max. at 25°C
  - Working Voltage: 100 VDC
  - DWV: 1000 VDC/60s Contact to Contact, 1500 VDC/60s Contact to Metal Shell
  - Operating Temperature: -40°C to +85°C
2. Material and Finish:
  - Receptacle Housing: Zinc Die-Cast, Nickel Plated
  - Panel Nut: Brass, Finish: Nickel Plated
  - Panel Gasket: Silicon, Color: White
  - Cat.5e RJ45 Jack Metal Shell: Copper Alloy, Nickel Plated
  - Cat.5e RJ45 Jack Plastic Housing: Glass filled PBT UL94 V-0, Color: Black
  - Cat.5e RJ45 Jack Contacts: Phosphor Bronze, Finish: 50u" Gold min. over Nickel
  - PCB: FR-4
  - Terminal Block Insulator: Polyamide, UL94 V-0 Rated
  - Terminal: Brass, Tin Plated
  - Gage Clamp: Brass, Tin Plated
  - M2 Screw: Steel, Zinc Plated
3. Connector can be front or rear mounted to a maximum panel thickness of 3.2mm.
4. Potted Version must be used, if IP67 required when not capped or mated
5. Recommended Mounting Panel Nut Torque is 20 to 25 lb-inch

RoHS compliant

Description	Part Number
Nickel Plated Zinc Die-Cast Version	17-110194
Potted Nickel Plated Zinc Die-Cast Version	17-110204

THIS DRAWING MAY NOT BE COPIED OR REPRODUCED IN ANY MANNER OR ON TO A THIRD PARTY WITHOUT WRITTEN PERMISSION. OWNERSHIP AND COPYRIGHT OF CONEC CORPORATION.	Customer:			Tolerance Unless otherwise specified			Scale: 1.5:1	Dim. in mm
	Name	Title	Approval Date	0 PLC ±0.50	1 PLC ±0.38		Autodesk Inventor	Material: See Notes
				2 PLC ±0.25	3 PLC ±0.10	2012 Date Name Draw. Oct. 09 Vincent Ke Appd. Oct. 09 J. Chaudry	Title: Receptacle Assembly Kit with Nickel Plated Zinc Die-Cast Housing with Cat. 5e RJ45 Jack and Terminal Block	
				Norm	ANGLES ±3	D-old	Drawing No.: 17K1A347	DIN A3
1 x b	A21-04.26	03.11.2021	Bub			Part No.: SEE PART NUMBER TABLE	Sheet 1/1	
a	original							
Rev	Changes	Date	Name					

6 5 4 3 2 1