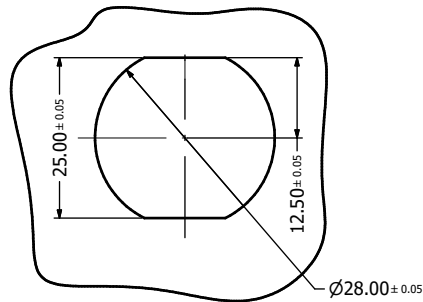
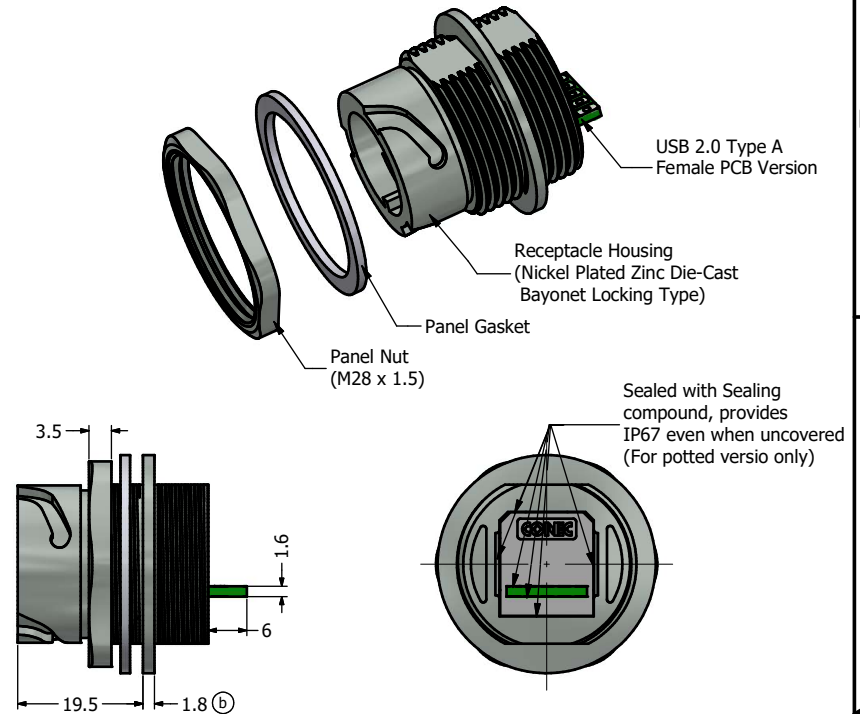
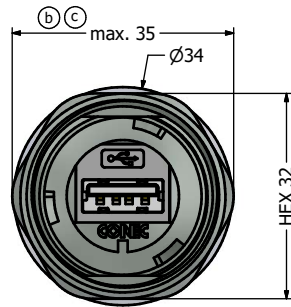
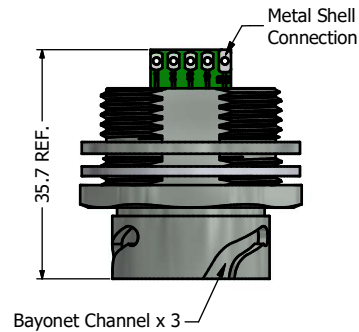


Recommended Single-D Panel Cutout



Recommended Double-D Panel Cutout



Notes:

1. Electrical Specifications:

- Meets USB 2.0 Specification
- Contact Resistance: 30 mOhm max.
- Insulation Resistance: 1000 MOhm min. @ 100 VDC
- Current Rating: 1.5 A max. at 25°C
- Working Voltage: 30 V (RMS) max.
- DWV: 500 VAC/60s at sea level
- Operating Temperature: -40°C to +85°C

2. Material and Finish:

- Receptacle Housing: Zinc Die-Cast, Nickel Plated
- Panel Nut: Brass, Finish: Nickel Plated
- Panel Gasket: Silicon, Color: White
- USB Insulator: PBT, UL94 V-0, Black
- USB Metal Shell: Copper Alloy, Nickel Plated
- USB Overmold material: PBT UL94 V-0, Color: Black
- USB Contacts: Copper Alloy, Finish: 30 u" Gold min. over Nickel
- PCB: FR-4, UL94 V-0, Color: Green

3. Connector can be front or rear mounted to a maximum panel thickness of 3.2 mm.

④ 4. IP67 rated only in the mated and covered condition for unpotted version, but IP67 rated for both mated or uncovered condition for potted version.

5. Recommended Mounting Panel Nut torque is 20 to 25 lb-inch

Pin to typical USB Cable Wiring Assignment

Type A F	PCB	Signal Name	USB Cable
Pin1	Pin1	VBUS	Red
Pin2	Pin2	D-	White
Pin3	Pin3	D+	Green
Pin4	Pin4	GND	Black
Shell	GND	GND	Drain Wire

Description	Part Number
Nickel Plated Zinc Die-Cast with USB 2.0 Type A Female PCB	17-210151
Potted Nickel Plated Zinc Die-Cast with USB 2.0 Type A Female PCB	17-210161

THIS DRAWING MAY NOT BE COPIED OR REPRODUCED IN ANY MANNER WITHOUT THE WRITTEN PERMISSION OF CONEC CORPORATION. OWNERSHIP AND COPYRIGHT OF CONEC CORPORATION.	Customer:			Tolerance Unless otherwise specified			Scale:	Dim. in mm	
	Name	Title	Approval Date	0 PLC ±0.50	1 PLC ±0.38		Autodesk Inventor	Material: See Notes	
				2 PLC ±0.25	3 PLC ±0.10	2012 Date	Name	Title: Receptacle Assembly Kit	
				ANGLES ±3°	Norm	Draw. Oct. 09	Vincent Ke	with Nickel Plated Die-Cast Housing	
DOT NOT ALTER CAD DRAWING BY HAND			1 x c	A21-0426	03.11.2021	Bub	Appd. Oct. 09	J. Chaudry	with USB 2.0 Type A Female PCB Version
			b	3 x b	Oct/10/2013	Vincent Ke	Norm		Drawing No.: 17K1A365
			a	original					DIN A3
			Rev	Changes	Date	Name			Sheet 1/1
			Part No.: SEE PART NUMBER TABLE						

RoHS compliant