

Elektromagnetischer Signalgeber AL-60SP12

Mit Ansteuerung Art.-Nr.: 170070

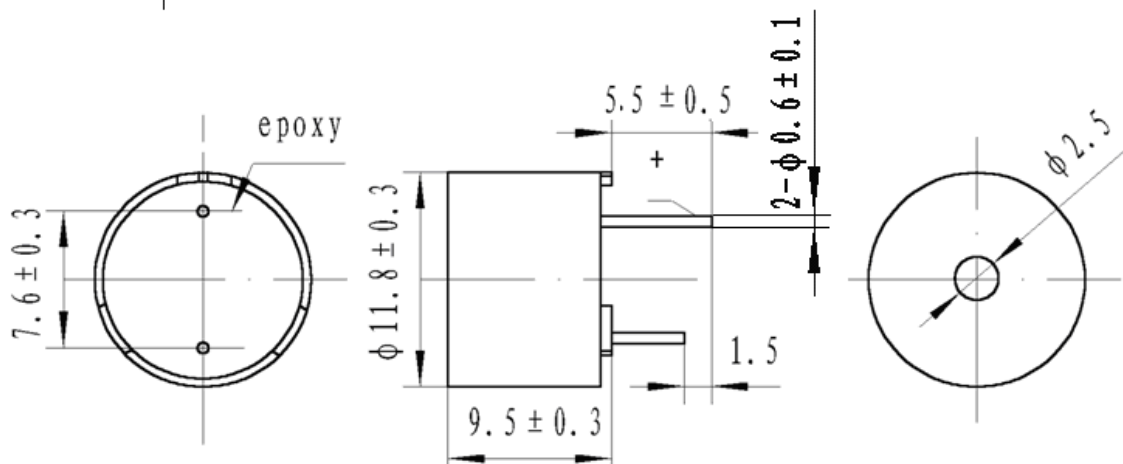
Specification :

TYPE	UNIT	AL-60SP12
• Min. Sound Output at 10cm	dB	85
Rated Voltage	V _{DC}	12
Operating Voltage	V _{DC}	8~16
Resonant Frequency	Hz	2.300±300
• Max. Current Consumption	mA	30
Operating Temperature	°C	-20~+70
Storage Temperature	°C	-30~+80
Weight	g	2
Housing Material		PPO

- Value applying at rated voltage

Dimensions :

(Unit : mm)

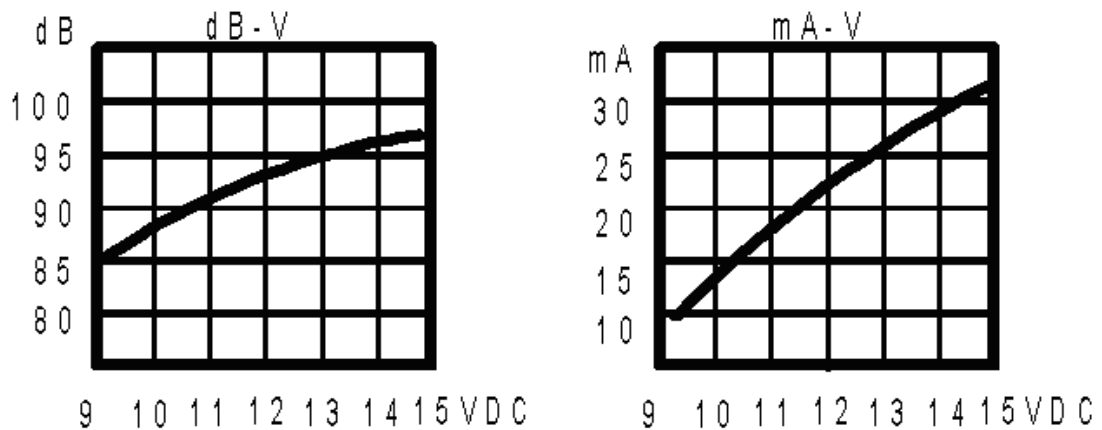


Version 1 / 10/2021

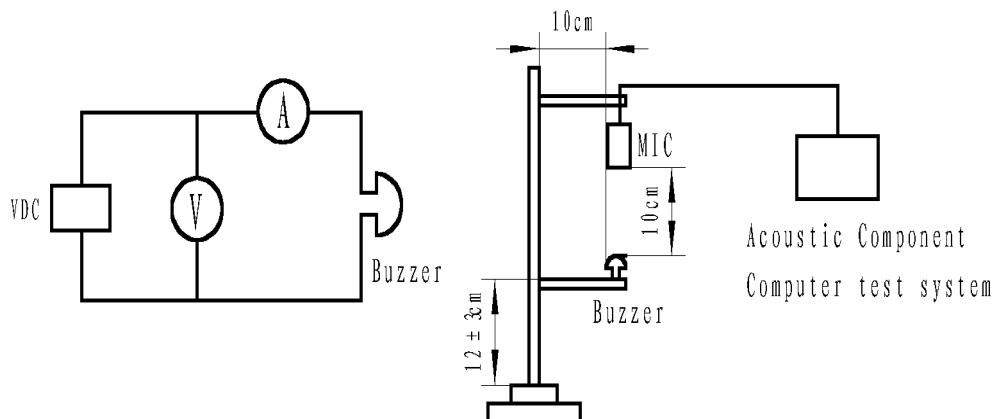
Elektromagnetischer Signalgeber AL-60SP12

Mit Ansteuerung Art.-Nr.: 170070

Frequency response :



Test Method:



Elektromagnetischer Signalgeber AL-60SP12

Mit Ansteuerung Art.-Nr.: 170070

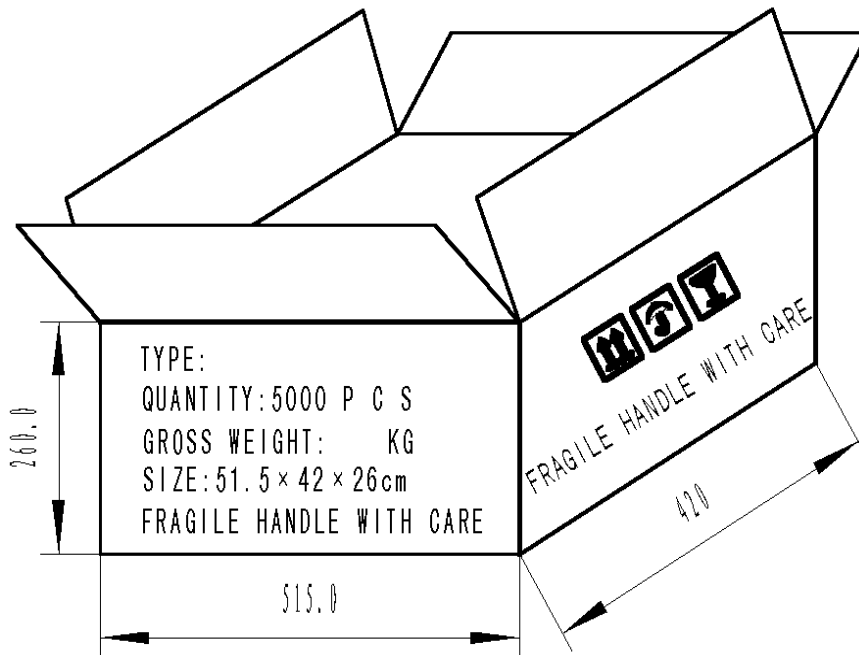
Reliably Test :

NO	ITEM	TESTING CONDITION	VARIANCE AFTER TEST
1	Humidity	40±5°C, 93(+2/-3)%RH, 96HRS	All specifications must be satisfied after the test
2	High temp.	+80±2°C, 96HRS	
3	Low temp.	-30±2°C, 96HRS	
4	Temperature cycling	-30±2°C, 30 minutes room temp. 15 minutes +80±2°C, 30 minutes room temp. 15 minutes 5 cycles	
5	Drop test	3 times from height of 70cm onto the sureface of 10mm thick wooden board.	
6	Vibration test	Make the test for the directions of X Y and Z (total 0.5 hours). To-and-fro sweep time (from 10 to 55 Hz and then 55 to 10) under single amplitude of 1.0mm is 1 minute.	
7	Solder heat resistance	The part leads (pins) shall be immersed in molten solder maintained at 250±10°C for a period of 30 seconds.	

Elektromagnetischer Signalgeber AL-60SP12

Mit Ansteuerung Art.-Nr.: 170070

Packing :



NOTES:

- 1.100 PCS per box
- 2.Total 50 boxes per carton
- 3.Total 5000 PCS carton
- 4.Volume:51.5×42×26cm