

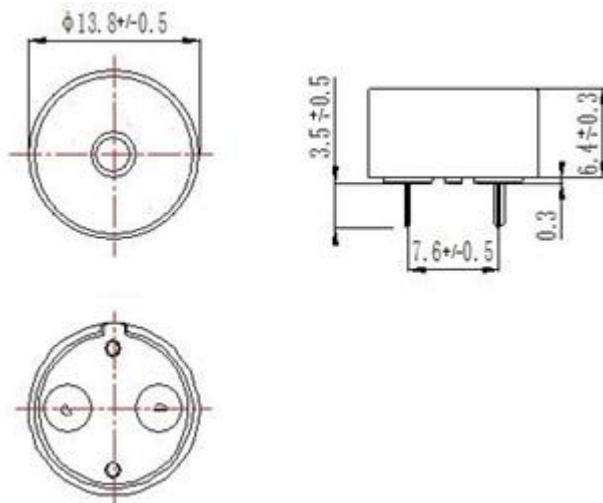
Piezosignalgeber (ohne Ansteuerung) RMP-14P/HT Art.-Nr.: 180010

Specification :

TYPE	UNIT	RMP-14P/HT
S.P.L.	dB	85dB Min. at 10cm/4.0KHz/9Vp-p Square Wave/Praxis
Max. Input Voltage	Vp-p	20
Frequency	KHz	4.0±0.5KHz
Housing Material	-	PBT/Black
Max. Current Consumption	mA	5mA Max. at 4.0KHz/9Vp-p Square Wave
Capacitance	pF	14.000±30% at 1kHz/1V
Operating Temperature	°C	-30~+85
Storage Temperature	°C	-40~+90
Weight	g	1.0
Soldering Technology	-	Hand Soldering: 380°C±30%, 1-2S
	-	Wave Soldering: 260°C, 5-10S
Packing	PCS	5.000PCS/CTN

Dimensions :

(Unit : mm)



Frequency response :

