

**Piezosignalgeber ohne Ansteuerung RMP-14P/RM10**

Art.-Nr.: 180010SA2

**Specification :**

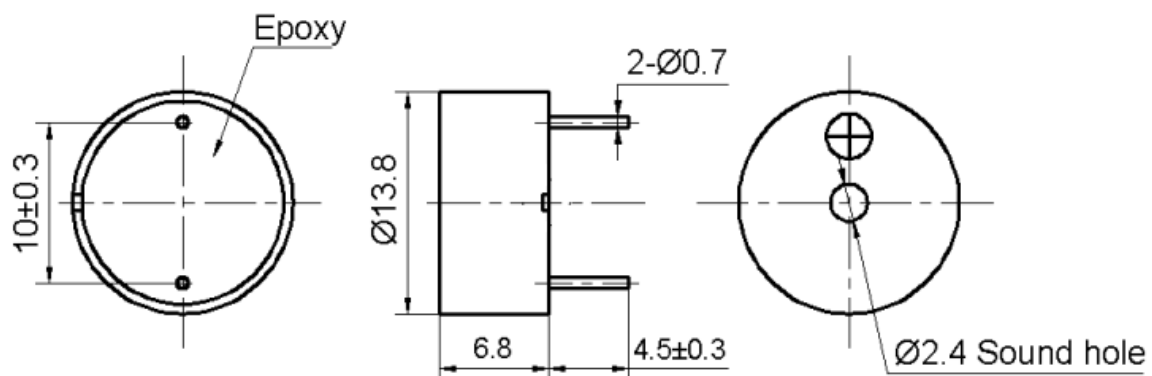
No.	Technical terms	Value
1	Rated Voltage (Vp-p)	5
2	Max Input Voltage(Vp-p)	30
3	*Rated Current(mA)	≤5
4	Capacitance at 100Hz (pF)	15000±30%
5	*Sound Output at 10cm(dB)	≥85
6	Resonance Frequency (KHz)	4.0±0.5
7	Operating Temperature(°C)	-20~+70
8	Storage Temperature(°C)	-30~+80
9	Weight (g)	0.8
10	Housing Material	PPO
11	RoHS	Yes

\*Value applying at rated voltage , 4.0KHz, 1/2 duty , square wave

Test Basic State: Temp(20±2°C),Humidity(40~70%RH),Air pressure(860~1060hPa).

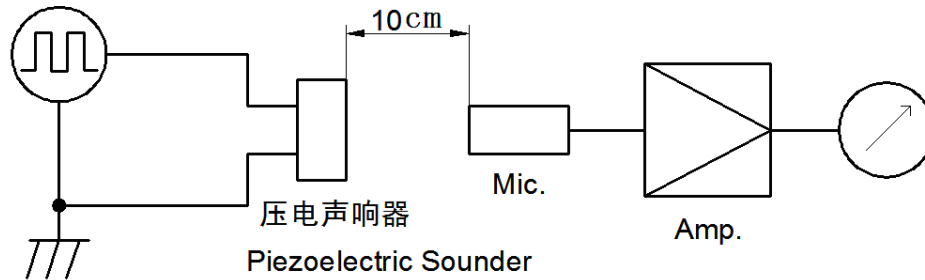
**Dimensions :**

(Unit : mm) Tolerance : ± 0,5mm Except Specified



**Piezosignalgeber ohne Ansteuerung RMP-14P/RM10**  
Art.-Nr.: 180010SA2

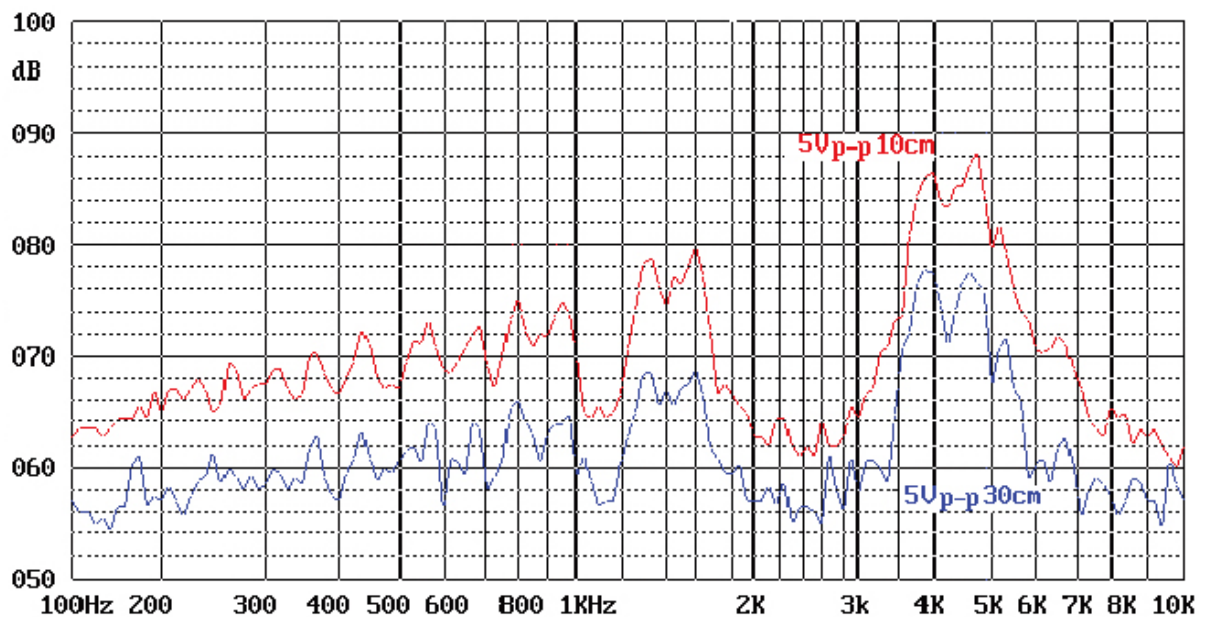
**Test Method :**



MIC: ND10 普通声级计或等同品  
MIC: ND10 Sound Meter or equivalent

信号发生器: DF1641D或等同品  
Signal Generator: DF1641D or equivalent

**Frequency Response:**



**Piezosignalgeber ohne Ansteuerung RMP-14P/RM10**

Art.-Nr.: 180010SA2

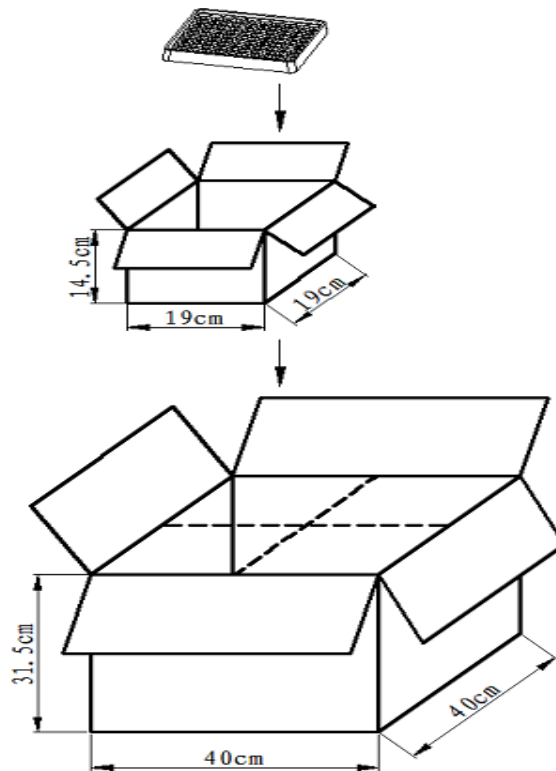
**Reliably Test :**

NO.	ITEM	TESTING CONDITION	VARIANCE AFTER TEST
1	Humidity	40±2°C, 93(+2/-3)%RH, 96HRS	After being placed for 2 to 4hrs at room temp, the product shall meet specifications,except the SPL should be in ±10dB compared with initial one.
2	High temp.	+80±2°C, 96HRS	
3	Low temp.	-30±2°C, 96HRS	
4	Temperature cycling	-30±2°C, 30minutes room temp. 15 minutes +80±2°C, 30 minutes room temp. 15 minutes 5 cycles	
5	Drop test	3 times from height of 70cm onto the surface of 10mm thick wooden board.	After the test part shall meet specifications,except the SPL should be in ±10dB compared with initial one.
6	Vibration test	Make the test for the directions of X Y and Z (total 0.5 hours). To-and-fro. sweep time (from 10 to 55 Hz and then 55 to 10 ) under single amplitude of 1.0mm is 1 minute.	The SPL should meet specification.
7	Solder heat resistance	The part leads (pins) shall be immersed in molten solder maintained at 260±5°C for 10seconds. Refer to GB2423.28.	After the test part shall meet specifications without any degradation in appearance and performance.

**Piezosignalgeber ohne Ansteuerung RMP-14P/RM10**  
Art.-Nr.: 180010SA2

---

**Packing :**



NOTES:

- 1.100 PCS per box
2. 10 boxes per inner carton
3. 1000pcs per inner carton
4. Inner carton volume: 19x19x14.5cm
5. 8 pcs inner cartons per carton
6. Total 8000 PCS carton
4. Volume: 40x40x31.5cm