

Piezosignalgeber (mit Ansteuerung) RMP-23SW Art.-Nr.: 185135

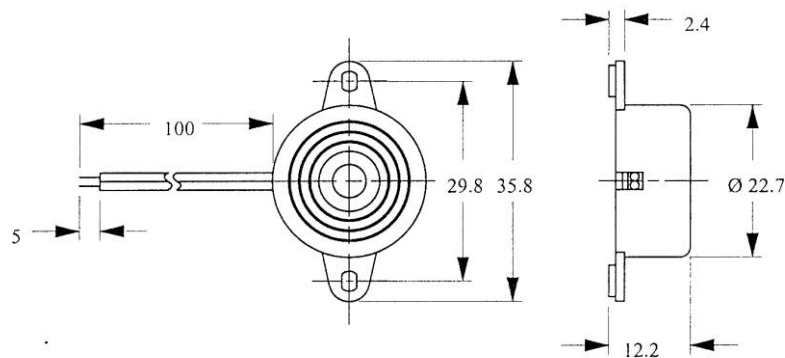
Specification :

TYPE	UNIT	RMP-23SW
• Min. Sound Output at 30cm	dB	85
Rated Voltage	V	12
Operating Voltage	V	3~20
Resonant Frequency	Hz	3.000±500
• Max. Current Consumption	mA	8
Tone		Continuous
Operating Temperature	°C	-20~+70
Storage Temperature	°C	-30~+80

• Value applying at rated voltage

Dimensions :

(Unit : mm)



Frequency response :

