

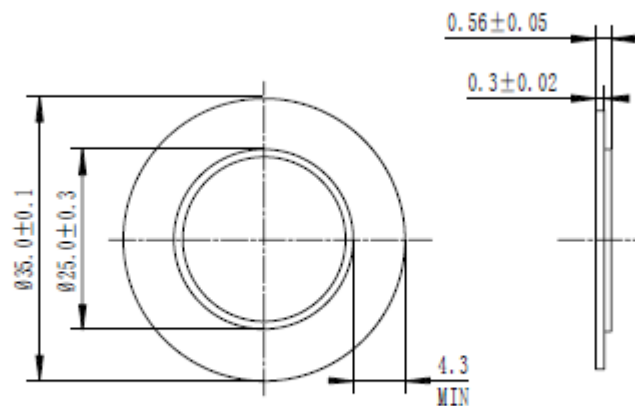
**Piezoscheibe EPZ-35MS29** Art.-Nr.: 190070

**Specification :**

Item	Unit	Standard	(Test condition): T=25°C
(1)Resonant frequency	kHz	2.9±0.3	PV70A
(2)Main electrostatic capacity	pF	26000±30%	Digital electric bridge At 1kHz/1V
(3)Feedback electrostatic capacity	pF	...	Digital electric bridge At 1kHz/1V
(4)Resonant impedance	Ω	300 MAX.	PV70A
(5)Resonant impedance	Ω	....	...
(6)Metal plate material	...	Brass	
(7)Metal plate diameter	mm	35.0±0.1	Vernier caliper
(8)Metal plate thickness	mm	0.3±0.02	Micrometer
(9)Ceramic diameter	mm	25.0±0.3	Vernier caliper
(10)Total height	mm	0.56±0.05	Micrometer
(11)Insulation resistance	M Ω	100 MIN.	Insulation resistance tester At 50V
(12)Maximum input voltage	Vp-p	30	...
(13)Operating temperature range	°C	-20 to +70	...
(14)Storage temperature range	°C	-30 to +80	...
(15)Lead wires	...	...	...

**Dimensions :**

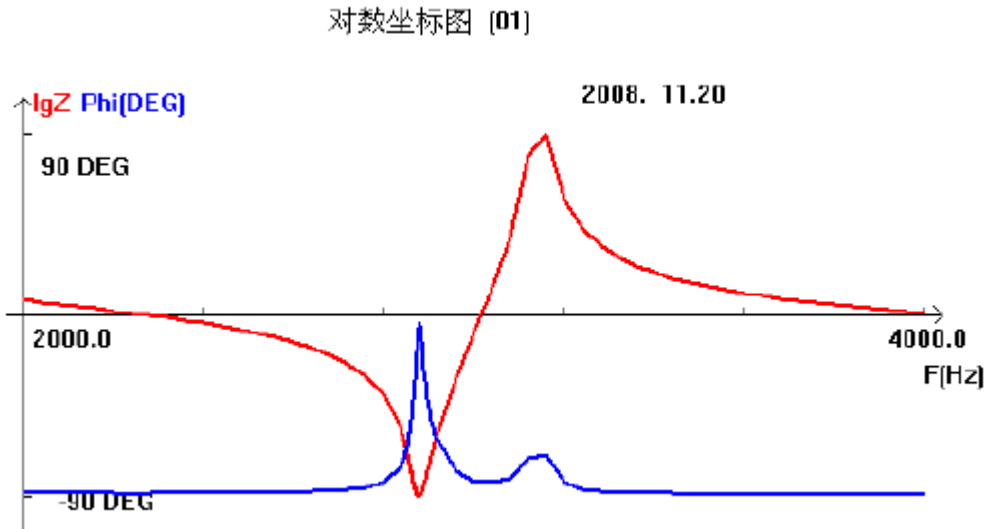
(Unit : mm)



Remark: The Pb in ceramic is exempt, other ingredients are all ROHS compliant

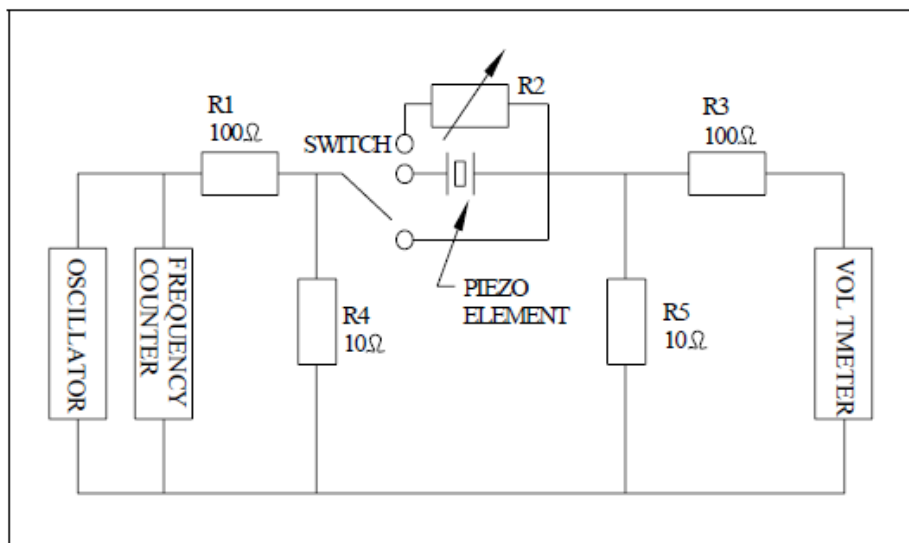
**Piezoscheibe EPZ-35MS29** Art.-Nr.: 190070

**Typical Frequency Response Curve :**



**Mesurions Procédure :**

The node held with a measuring terminal, the resonant frequency and resonant impedance are in the constant-voltage circuit.



**Piezoscheibe EPZ-35MS29** Art.-Nr.: 190070

---

**Tolerances :**

偏心度计算公式= $[(X-x) / 2D]\%$

Eccentricity Calculation: $[(X-x) / 2D]\%$

我们的标准是不大于 2%

Our Criterion is no more than 2%

