

Mikrofon *EMY-62NL101*

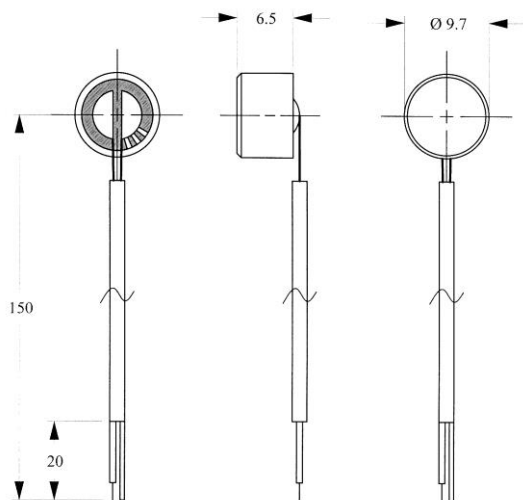
Art.-Nr.: 20094

Specifications :

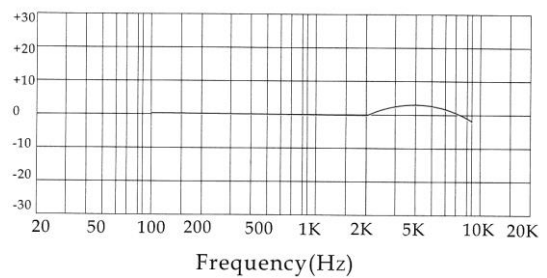
TYPE	UNIT	EMY-62NL101
Sensitivity (0dB=1V/Pa. 1kHz)	dB	-46dB
Directivity		Omnidirectional
Impedance		Low impedance
Current Consumption	mA	max. 0.5
Standard operating voltage	V	4.5 (1.5-10)
Sensitivity reduction		within -3dB at 1.5V
S/N ratio	dB	more than 60
Operating temperature	°C	-10~+70
Storage temperature	°C	-20~+80

Dimensions :

(Unit :mm)



Typical Frequency response curve :



Schematic diagram :

