

**Sirene RSP-130** Art.-Nr.: 205010

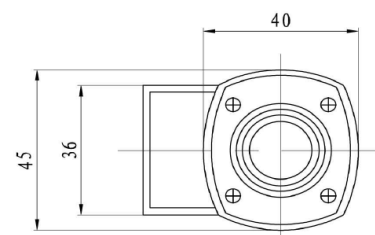
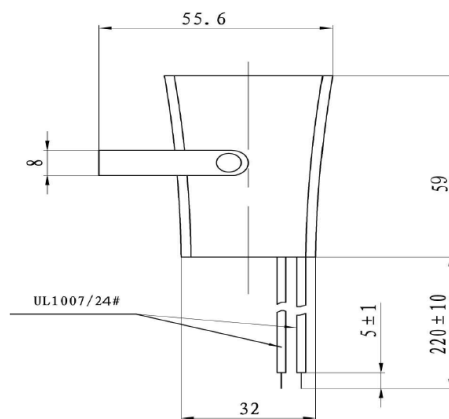
**Specification:**

TYPE	UNIT	RSP-130
• Min. Sound Output at 100cm	dB	>105/12V
Rated Voltage	V	12
Operating Voltage	V	8~15
Operating Frequency	Hz	1.500~3.500
• Max. Current Consumption	mA	200/12V
Tone/Pulse Rate (Hz)		Sweep
Operating Temperature	°C	-20~+70
Storage Temperature	°C	-30~+80
Terminal		wire

- Value applying at rated voltage

**Dimensions:**

(Unit: mm)



UNIT:mm  
Tolerance:±0.5