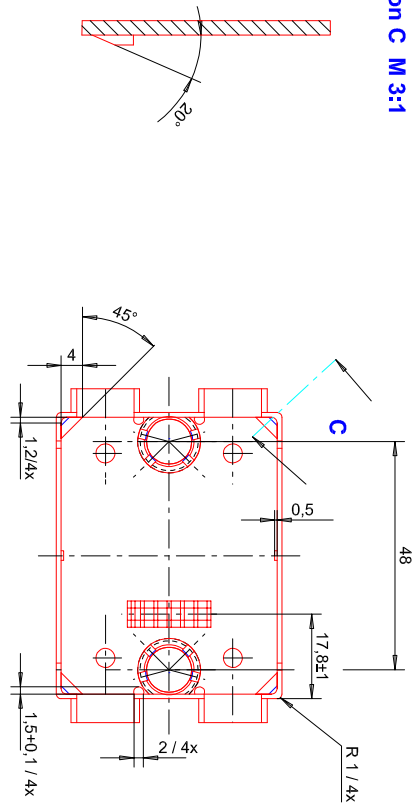


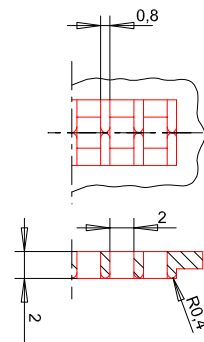
Dimensions without tolerance see DIN 7168 m				
0-6	6-30	30-120	120-315	315-1000
+/-0,1	+/-0,2	+/-0,3	+/-0,5	+/-0,8

no burr allowed

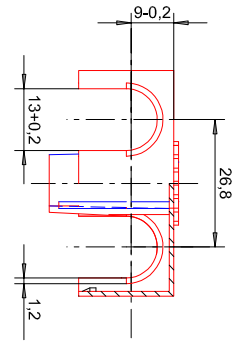
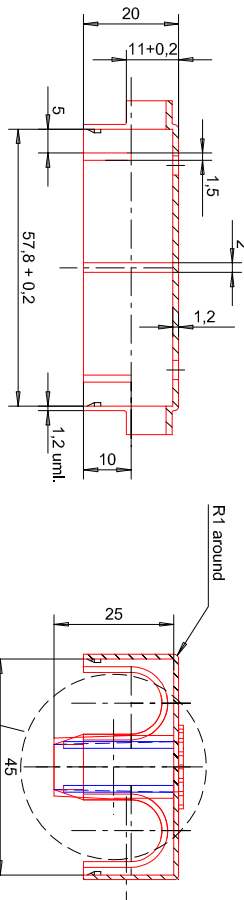
**Section C M 3:1**



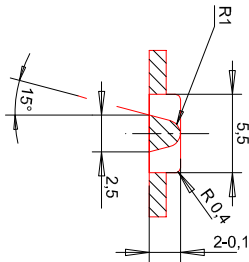
**Note X M 3:1**



**Section B - B M 3:1**

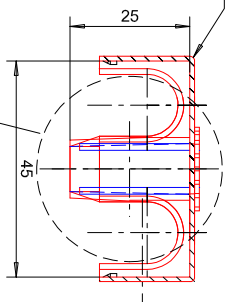


**Section D M 3:1**

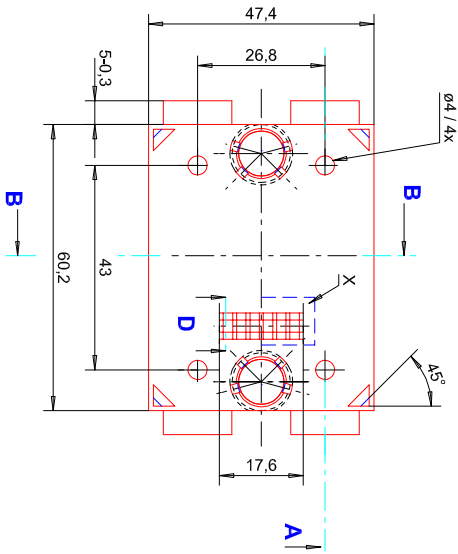


**Section Y see page 2/3**

Y



A



**Material : PC Lexan 920 A transparency UL 94-V0**

Drw.: RVL Date: 01/11/01 Chk.: Date:	Description: PROTECTING-CAP FOR HOCKEY-PUCK	Size A 4	Drawing number: 205048-00 4057/0110	Revisions: A1 01110101 A2 02062801
			File name: 205048-00 sh. 1 of 3	