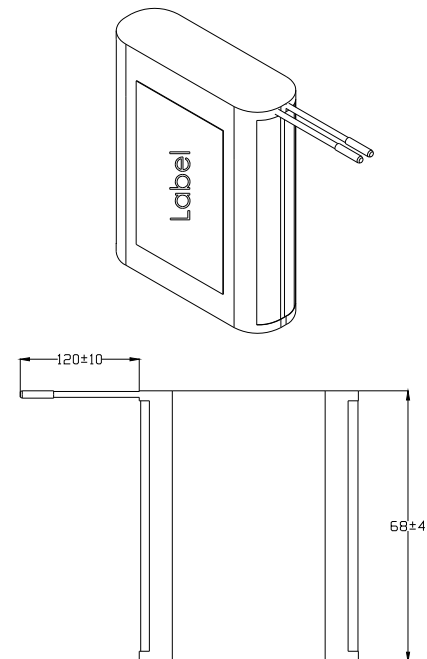
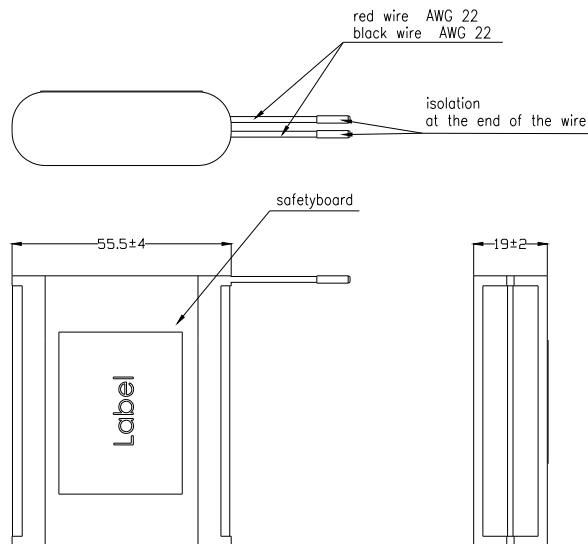


The supplier acknowledges that, with the acceptance of this drawing, he is in a position to manufacture the described part in accordance with the drawing, in reproduction of the original. The supplier is not responsible for any errors or omissions in the drawing. The drawing is not to be used for any other purpose without the written approval of the manufacturer. The drawing is not to be used for any other purpose without the written approval of the manufacturer.

This drawing has not been tested, reproduced or made available in any form without the written approval of the manufacturer.

- Technische Daten/
technical data : Akkupack/
battery pack
- Chemie/
chemistry : Lithium Ion
- Zellenzahl/
no. of cells : 3 Zellen/ cells INR18650 LGC B4 ; 1S3P
- Kapazität/
capacity : nom. 7800mAh discharge at 0.2C
min. 7500mAh discharge at 0.2C
to:20°C; EV(Discharge End Voltage): 2.75V per cell
- Innenwiderstand/
impedance : < 70mOhm (battery and safetyboard)
- Nominalspannung/
nominal voltage : 3.7V
- Standard Ladespannung/
standard charge voltage : 4.2V±1%
- Standard Entladespannung/
standard discharge voltage : 2.75V
- Nominale Ladestrom/
nominal charge current : 3000mA (limited by safetyboard)
- Maximaler Ladestrom/
maximum charge current : 3000mA (limited by safetyboard)
- Ladeendstrom/
charge end current : 0.01C recommended
- Maximaler Entladestrom/
maximum discharge current : 3000mA (limited by safetyboard)
- Anwendungstemperaturbereich/
ambient temperature range : 0°C...+45°C charge
-20°C...+60°C discharge
-20°C...+30°C storage max. 1 year
-20°C...+45°C storage max. 3months
- Selbstentladung/
self discharge : ≤ 5% / month at20°C
≤ 10% / month at30°C
≤ 20% / month at40°C
- Standards/ : UN 3480, Subsection 38.3
All cells and battery packs type tested according
to UN manual of test and criteria subsection 38.3

- Technische Daten/
technical data : Sicherheitsschaltung/
safety board
- Überladeschutzspannung/
over charge voltage detection : 4.25V±25mV per cell
- Wiedereinschaltspannung/
over charge release voltage : 4.05V±50mV per cell
- Entladeabschaltspannung/
over discharge detection voltage : 2.5V±62mV per cell
- Wiedereinschaltspannung/
over discharge release voltage : 2.85V±250mV per cell
- Nominale Lade/Entladestrom/
nominal operating current : 3A
- Entlade Abschaltstrom/
discharge cut off current : 8.5A± 2A
- Kurzschlusschutz/
short circuit protection : gegen äußeren Kurzschluss/
against external short circuit
- Temperaturschalter/
temperature switch : ---
- MOSFET : in Masse
in Gnd
- Rückstellkriterium/
release condition : Last trennen, Aktiv nach Anladen/
cut load, release after charging up
- Nettogewicht/
net weight : 140g
- Leiterplattenmaterial/
pcb material : FR4
- Standards : CE



battery pack covered with 1 layer of blue shrinktube

Verwendungsbereich/Application range für Anfrage/for inquiry AN-IS-2013-00426		Zul. Abweichung/ Allowable deviation	Oberfläche/ Surface	Maßstab/Scale (DIN A2): 1:1	Gewicht/Weight
		Allgemeintoleranz DIN ISO 2768-m		Werkstoff/Work material, Modell-Nr.	
		2013 Datum/Date	Name	Zeichnungsname/Drawing name	
		Zeichner/ Drawn by	23.10.	JE	Li-Ion Battery 3.7V 7800mAh
					with safetyboard
V4	customer specific part number removed	03.12.18	DS	Zeichnungsnummer/Drawing number	
V3	customer specific part number added	20.11.18	DS	Artikelnummer/Part number	
V2	changed cell description	18.12.17	DS	2447-3034-01	
V1	change request: DE-15-0022	15.01.16	MSI	Blatt/ Sheet 1	
Version	Anderung/Change	Datum/Date	Name	Ursprung/Origin Proj. IS-2013-00426	Ersatz für/Replaced by Ersatz durch/Replaced through