

The upper annotations that, with the acceptance of this drawing, are in addition to manufacture the component in accordance with the drawing in reproducible form. The lower annotations that, with the acceptance of this drawing, are in addition to manufacture the component in accordance with the drawing in reproducible form. The upper annotations that, with the acceptance of this drawing, are in addition to manufacture the component in accordance with the drawing in reproducible form. The lower annotations that, with the acceptance of this drawing, are in addition to manufacture the component in accordance with the drawing in reproducible form.

Technische Daten/
technical data : Akkupack/
batterypack

Chemie/
chemistry : Lithium Ion

Zellenzahl/
no. of cells : 3 Zellen/ cells INR18650 M26 LG ; 1S3P

Kapazität/
capacity : nom. 7800mAh discharge at 0.2C
min. 7500mAh discharge at 0.2C
ta:20°C; EV(Discharge End Voltage): 2.75V per cell

Innenwiderstand/
impedance : < 70mOhm (battery and safetyboard)

Nominalspannung/
nominal voltage : 3.6V

Standard Ladespannung/
standard charge voltage : 4.2V±1%

Standard Entladespannung/
standard discharge voltage : 2.75V

Nominaler Ladestrom/
nominal charge current : 3000mA (limited by safetyboard)

Maximaler Ladestrom/
maximum charge current : 3000mA (limited by safetyboard)

Ladeendstrom/
charge end current : 0.01C recommended

Maximaler Entladestrom/
maximum discharge current : 3000mA (limited by safetyboard)

Anwendungstemperaturbereich/
ambient temperature range : 0°C...+45°C charge
-20°C...+60°C discharge
-20°C...+20°C storage max. 1 year
-20°C...+45°C storage max. 3months

Selbstentladung/
self discharge : ≤ 5% / month at20°C
≤ 10% / month at30°C
≤ 20% / month at40°C

Standards/ : UN 3480, Subsection 38.3
All cells and batterypacks type tested according to UN manual of test and criteria subsection 38.3

Technische Daten/
technical data : Sicherheitsschaltung/
safety board

Überladeschutzspannung/
over charge voltage detection : 4.325V±0.05V per cell

Wiedereinschaltspannung/
over charge release voltage : 4.075V±0.1V per cell

Entladeabschaltspannung/
over discharge detection voltage : 2.5V±0.1V per cell

Wiedereinschaltspannung/
over discharge release voltage : 2.9V±0.1V per cell

Nominaler Lade/Entladestrom/
nominal operating current : 3A

Entlade Abschaltstrom/
discharge cut off current : 8.5A± 2A

Kurzschlusschutz/
short circuit protection : gegen äußeren Kurzschluss/
against external short circuit

Temperaturschalter/
temperature switch : PTC : JK-P450 20V/4.5A at 25°C; 3.9A at 40°C

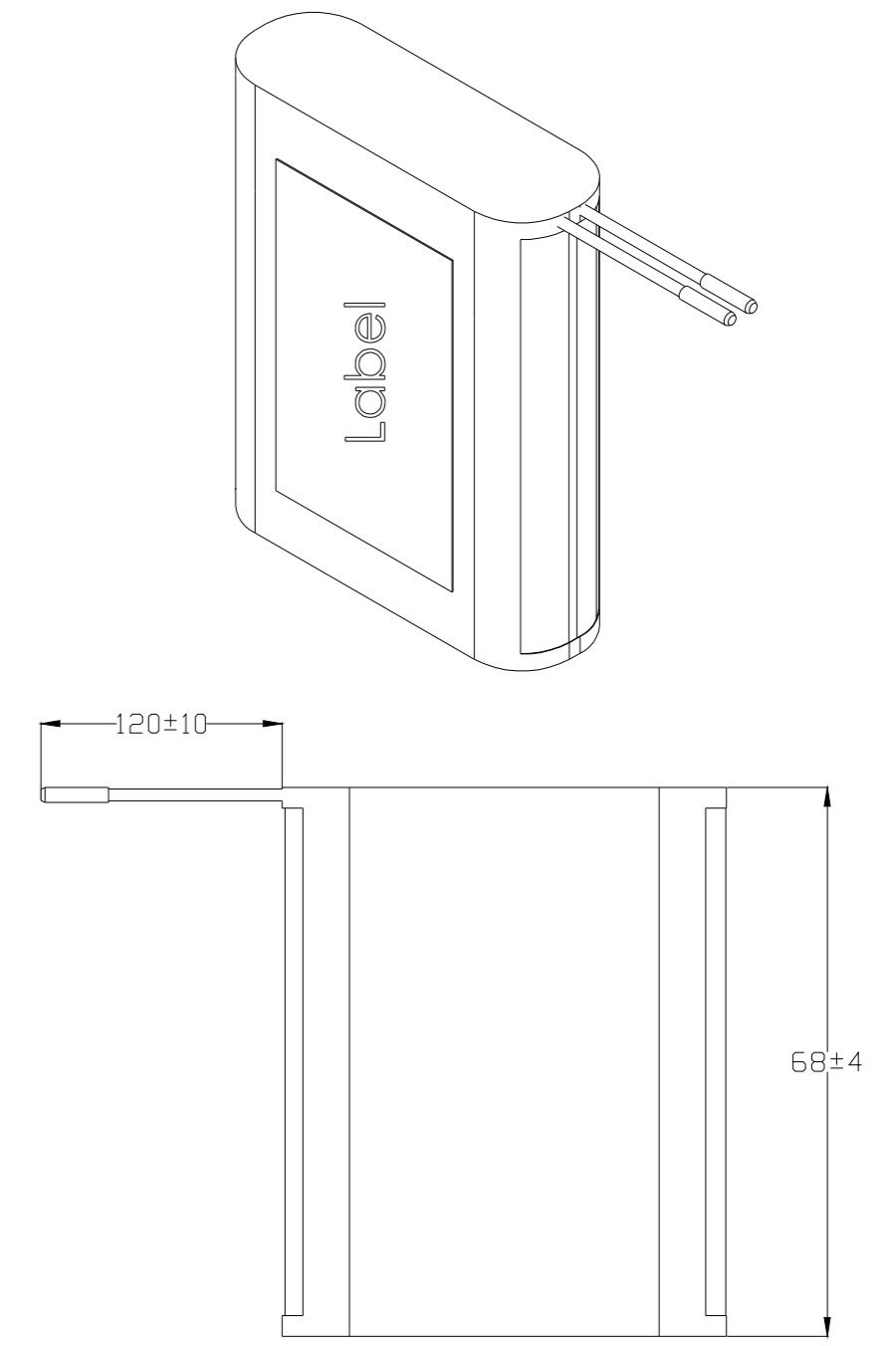
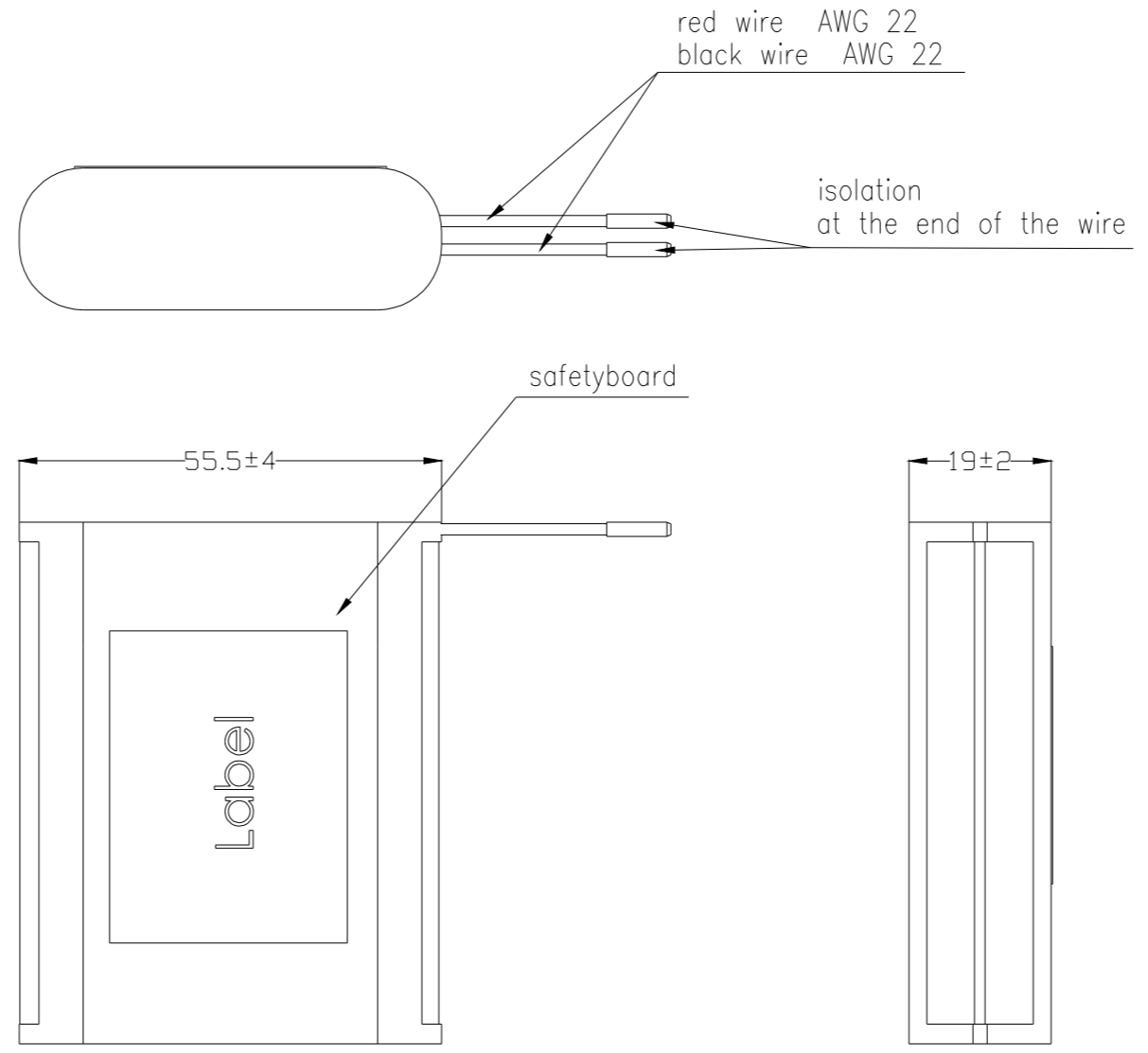
MOSFET : in Masse
in Gnd

Rückstellkriterium/
release condition : Last trennen, Aktiv nach Anladen/
cut load, release after charging up

Nettogewicht/
net weight : 140g

Leiterplattenmaterial/
pcb material : FR4

Standards : CE



batterypack covered with 1 layer of blue shrinktube

Part Number	SAP Description
2447-3034-03	Li-Ion-3.6V-7800mAh-1S3P-M26
2447-3034-203	Li-Ion-3.6V-7800mAh-1S3P-M26/UK

Verwendungsbereich/Application range für Anfrage/for inquiry AN-IS-2013-00426		Zut. Abweichung/ Allowable deviation	Oberfläche/ Surface	Maßstab/Scale (DIN A2): 1:1	Gewicht/Weight
		Allgemeintoleranz DIN ISO 2768-m		Werkstoff/Work material, Modell-Nr.	
		2019	Datum/Date	Name	Zeichnungsname/Drawing name Li-Ion Battery 3.6V 7800mAh with safetyboard
		Erstellt/ Drawn by	25.01.	MSI	
V2	electrical values changed	20.01.20	MSI	Zeichnungsnummer/Drawing number Artikelnummer/Part number 2447-3034-X03	
V1	part number overview added	15.04.19	DS		
V0	---	XX.XX.XX	XX		
Version	Anderung/Change	Datum/Date	Name	Ursprung/Origin Proj. IS-2013-00426	Ersatz für/Replaced by

