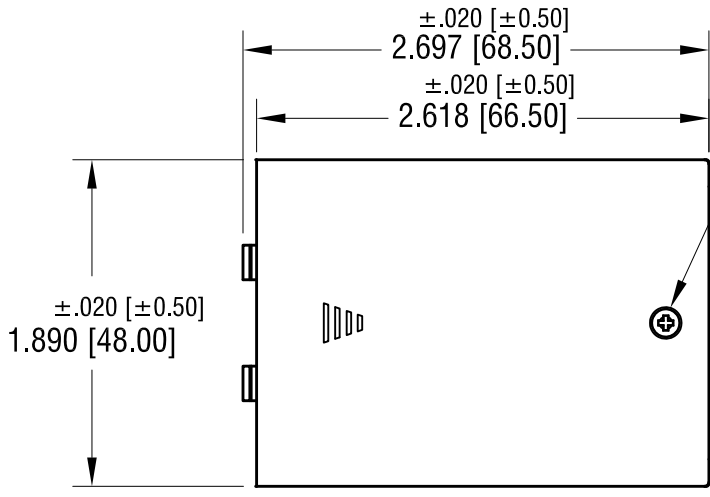
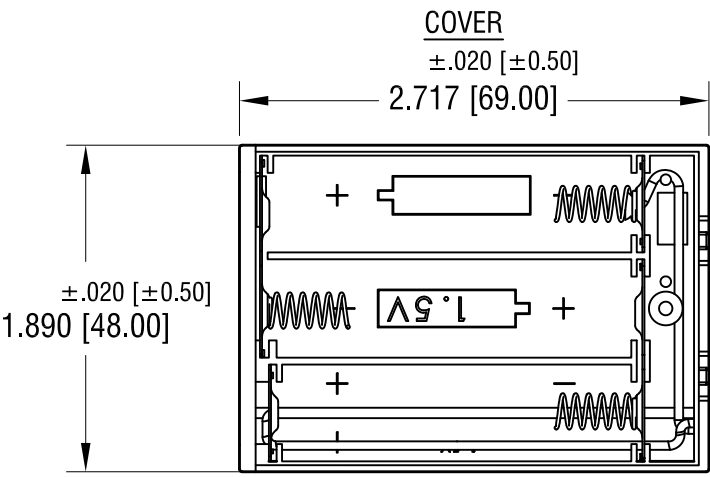
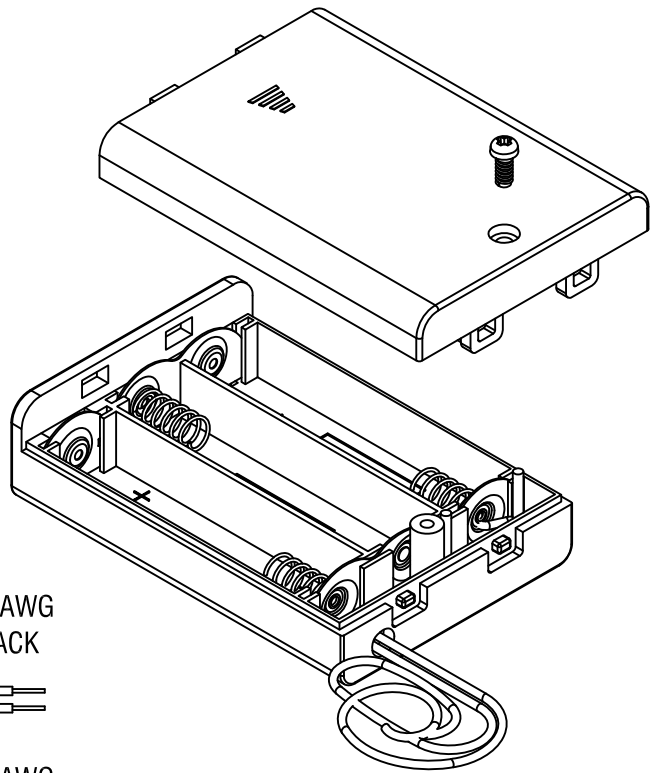


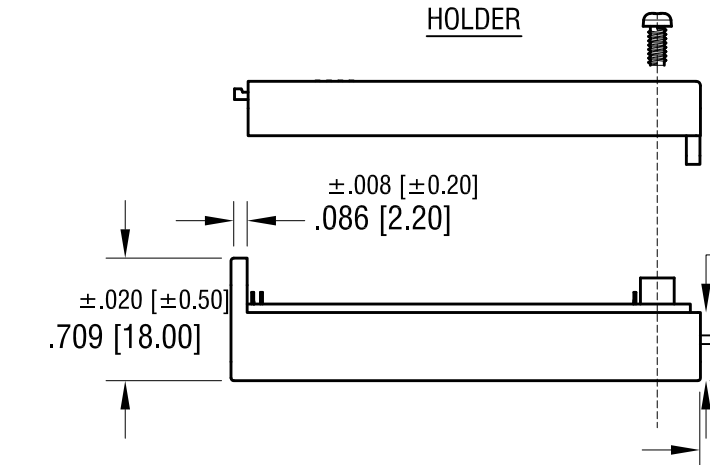
THIS DOCUMENT IS THE PROPERTY OF KEYSTONE ELECTRONICS CORP. AND SHALL NOT BE REPRODUCED, DISTRIBUTED OR USED AS A BASIS FOR MANUFACTURE WITHOUT PRIOR WRITTEN PERMISSION FROM KEYSTONE ELECTRONICS CORP.



FOR SELF-TAPPING SCREW



26 AWG BLACK
26 AWG RED



±.020 [±0.50]
.394 [10.00]
±.039 [±1.00]
.197 [5.00]
±.039 [±1.00]
6.000 [152.40]

NOTE:

- HOLDER: MAT'L: A.B.S. RESIN, BLACK
- WIRE: 26 AWG, 1007 UL/CSA APPROVED
- SPRING: MAT'L: MUSIC WIRE, .020 [0.50] DIA. FINISH: NICKEL PLATE

UPDATE MOLDING
CHANGE AS PER ECN 21-036

3.12.21	DATE	DESCRIPTION	REV.
			A

KEYSTONE ELECTRONICS CORP.

www.keyelco.com • NEW HYDE PARK, NY 11040 • Tel (516) 328-7500

PART NAME			
BATTERY HOLDER AND COVER (3) AA BATTERY			
MATERIAL			
AS NOTED			
FINISH		DRN BY	DATE
AS NOTED		BOONE	3.13.00
		APP'D	SCALE
		RH	.9X
TOLERANCES	INCH [MM]	CODE	DWG NO.
DECIMAL	± .015 [± 0.38]	C	2487
ANGULAR	± 1°		
UNLESS OTHERWISE SPECIFIED			