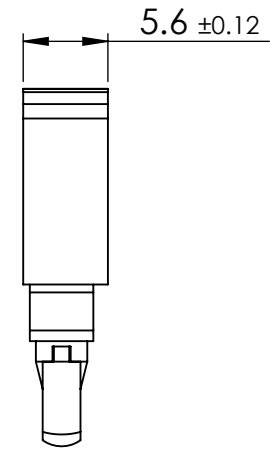
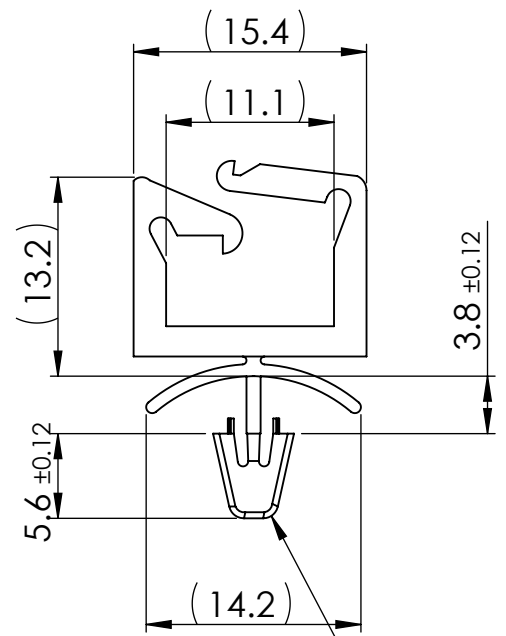
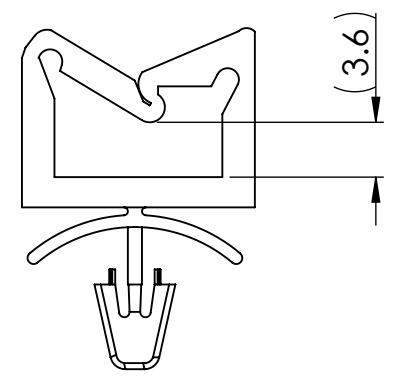


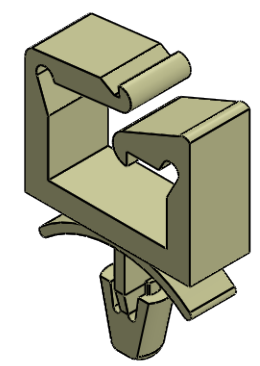
PANEL THICKNESS
1.6



TO SNAP-LOCK IN A 4.75±0.08 DIA. HOLE,
IN A PANEL THICKNESS INDICATED



LOCKED POSITION



© 2013 Essentra Components. All rights reserved.
Registered in England, Company No. 547495.
Registered Office: Essentra plc
Langford Locks, Kidlington, Oxford, OX5 1HX

Condition of Sale can be found on our website: essentra.com.

Essentra Components does not warrant that the files will be error free and may create new versions ("Upgrades") at any time, which may correct such errors. Essentra Components has no obligation to notify you of such upgrades. Any upgraded file will be published to the website, when it becomes available.

You are not permitted to load any of the files on to a network server for the purposes of distribution to one or more other computer(s) on that network or to effect such distribution. Essentra Components shall not be liable for any loss or damage whatsoever or however caused, arising directly or indirectly from the use of the files.

UNCONTROLLED COPY

STATUS **APPROVED DRAWING**

UNLESS OTHERWISE STATED

ALL DIMENSIONS IN mm DO NOT SCALE

LINEAR TOLERANCE				THIRD ANGLE PROJECTION	
SIZE	(0)	(0.0)	(0.00)		ANGULAR TOLERANCE ±0.5 DEGREES UNSPECIFIED RADII 0.25mm DRAFT ANGLE 0.5 DEGREES DIMENSIONS IN BRACKETS [] ARE IN INCHES FOR REFERENCE ONLY
0-10mm	±0.5	±0.15	±0.10		
>10-30	±0.5	±0.20	±0.15		
>30-50	±0.5	±0.30	±0.20		
>50-100	±0.8	±0.50	±0.25		
>100-200	±1.5	±0.80	±0.40		
>200-300	±2.0	±1.20	±0.80		
>300-500	±3.0	±2.00	±1.00		
>500	±5.0	±3.00	±1.50		

CREATE DATE	13.03.2023	MATERIAL	PA
ITEM CODE	10014271	COLOUR	NATURAL
LEGACY NUMBER	LWS-A-2-1-01	FINISH	-

TITLE:
WIRE SADDLE NYLON

DWG. No.	10014271	SCALE	SHEET	ISSUE
		3:1	1 of 2	1

PANEL THICKNESS
0.062



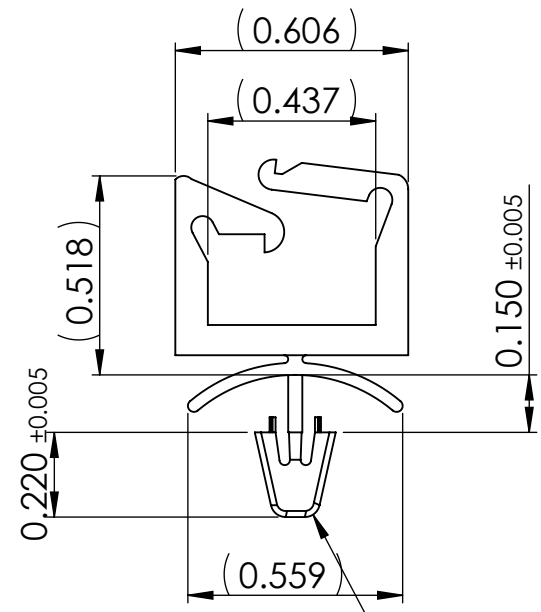
© 2013 Essentra Components. All rights reserved.
Registered in England, Company No. 547495.
Registered Office: Essentra plc
Langford Locks, Kidlington, Oxford, OX5 1HX

Condition of Sale can be found on our website: essentra.com.

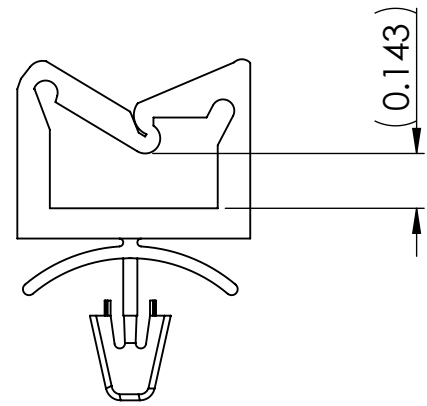
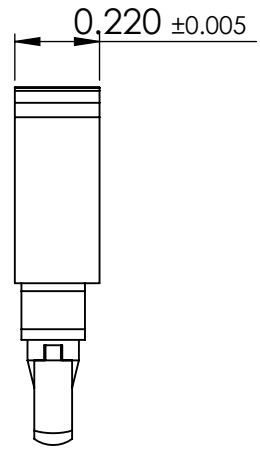
Essentra Components does not warrant that the files will be error free and may create new versions ("Upgrades") at any time, which may correct such errors. Essentra Components has no obligation to notify you of such upgrades. Any upgraded file will be published to the website, when it becomes available.

You are not permitted to load any of the files on to a network server for the purposes of distribution to one or more other computer(s) on that network or to effect such distribution. Essentra Components shall not be liable for any loss or damage whatsoever or however caused, arising directly or indirectly from the use of the files.

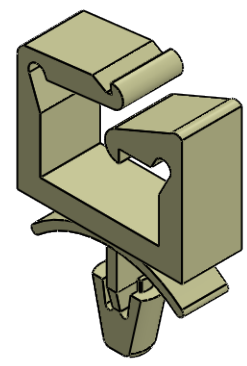
UNCONTROLLED COPY



TO SNAP-LOCK IN A 0.187±.003 DIA. HOLE,
IN A PANEL THICKNESS INDICATED



LOCKED POSITION



STATUS APPROVED DRAWING

UNLESS OTHERWISE STATED

ALL DIMENSIONS IN inches			DO NOT SCALE
LINEAR TOLERANCE			THIRD ANGLE PROJECTION
SIZE	(0.00)	(0.000)	(0.0000)
0 - 0.394	±0.020	±0.006	±0.004
>0.394 - 1.181	±0.020	±0.008	±0.006
>1.181 - 1.969	±0.020	±0.012	±0.008
>1.969 - 3.937	±0.031	±0.020	±0.010
>3.937 - 7.874	±0.059	±0.031	±0.016
>7.874 - 11.811	±0.079	±0.047	±0.031
>11.811 - 19.685	±0.118	±0.079	±0.039
>19.685	±0.197	±0.118	±0.059

CREATE DATE	13.03.2023	PA	MATERIAL
ITEM CODE	10014271	NATURAL	COLOUR
LEGACY NUMBER	LWS-A-2-1-01	-	FINISH

TITLE:
WIRE SADDLE NYLON

DWG. No.	10014271	SCALE	SHEET	ISSUE
		3:1	2 of 2	1