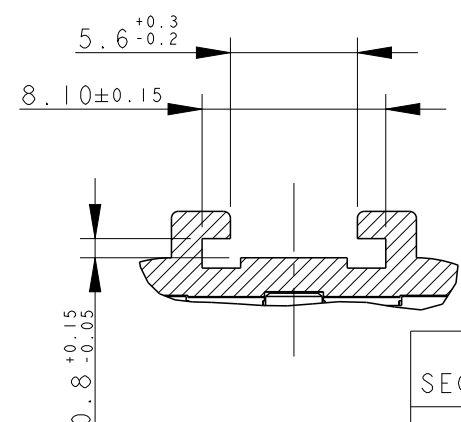
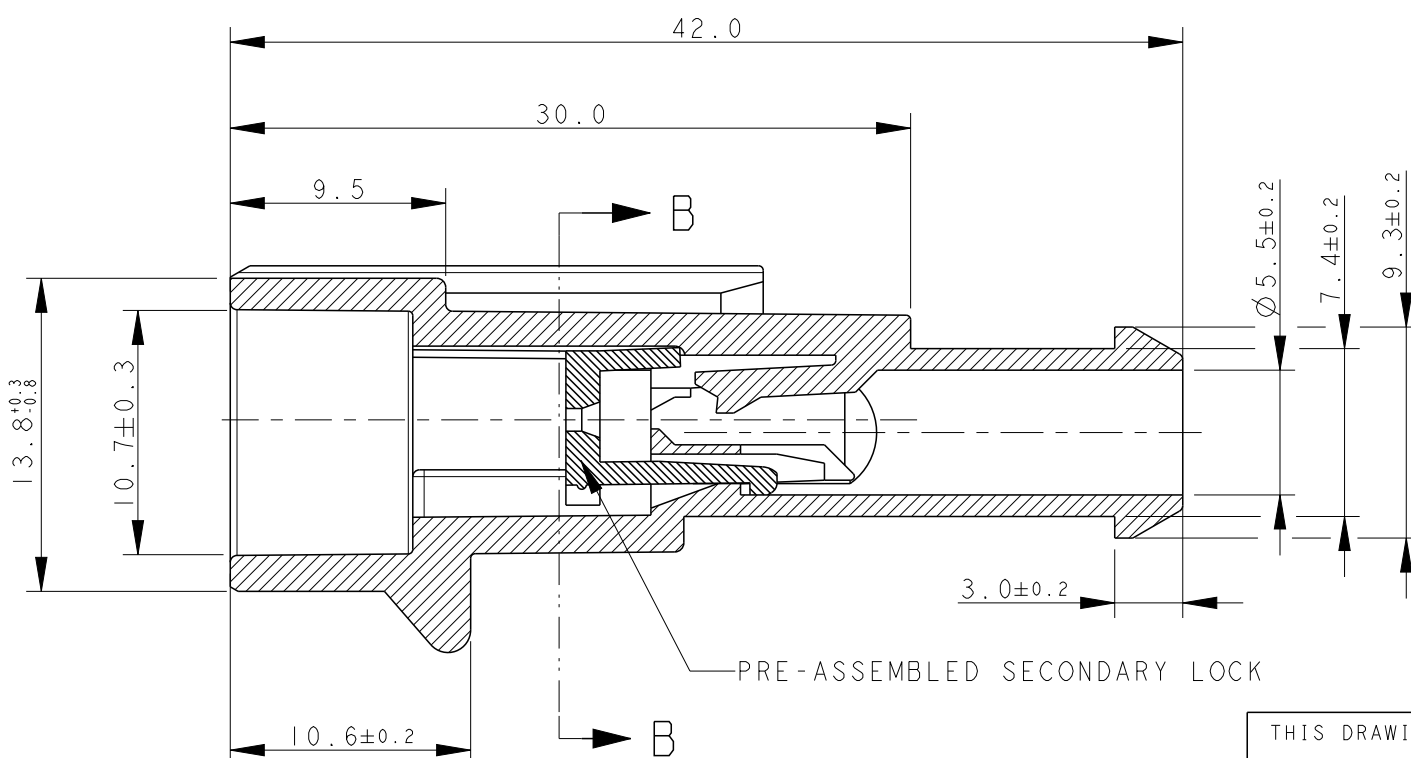
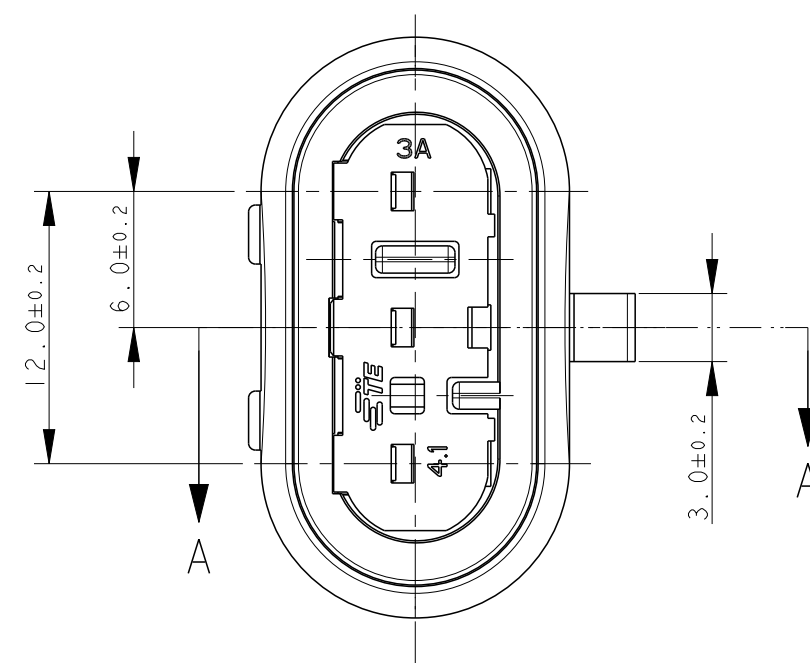
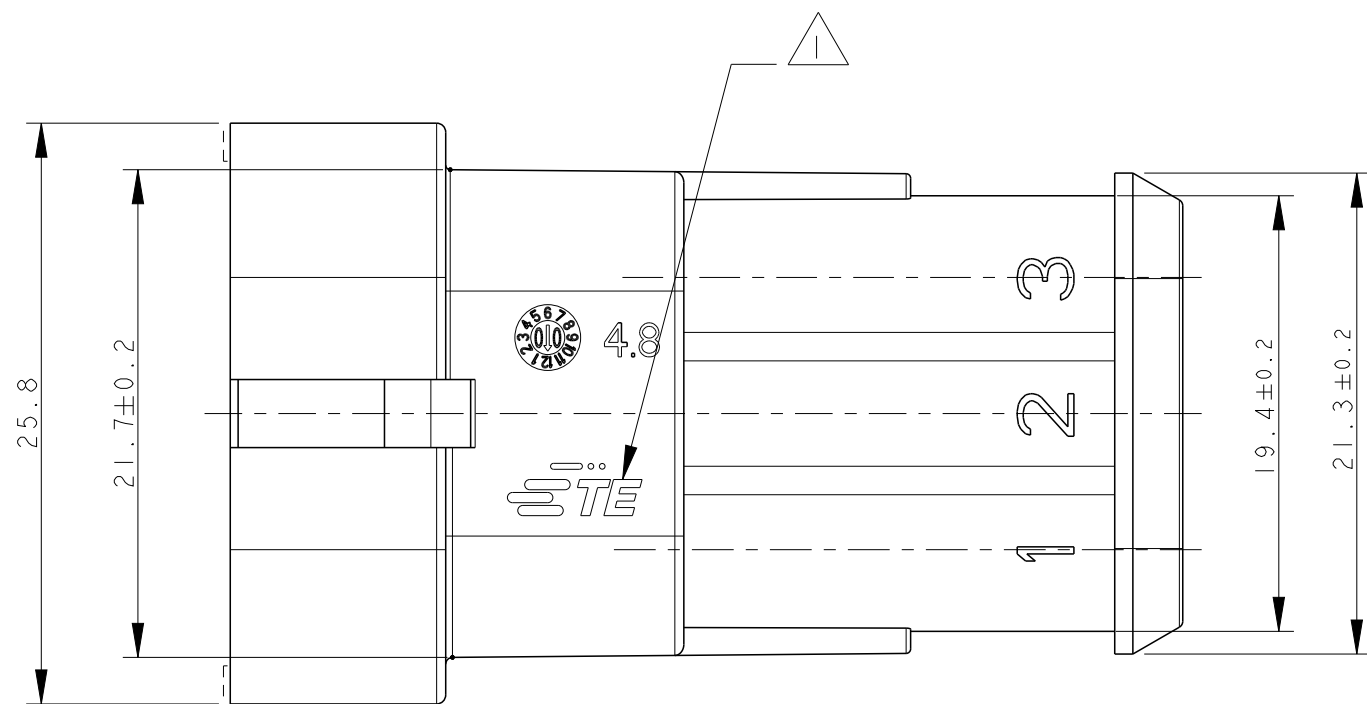


REVISIONS

P	LTR	DESCRIPTION	DATE	DWN	APVD
B3		REVISED (ECO-17-009774)	06SEP2017	M.G.	M.G.
B4		REVISED PER ECO-20-002019	12FEB2020	AP	VN



HSG: WHITE SEC. LOCK: WHITE	PA66-GF UL94-V2 ACC. TO IEC 60335-1	A	1745082-1
HSG: BROWN SEC. LOCK: RED	PA66-GF	B	4-282105-1
HSG: GRAY SEC. LOCK: RED	PA66-GF	B	282105-2
HSG: BLACK SEC. LOCK: RED	PA66-GF	B	282105-1
FINISH/COLOR	MATERIAL	REV	PART NUMBER

SECTION A - A

PART SECTION B - B

PRE-ASSEMBLED SECONDARY LOCK

THIS DRAWING IS A CONTROLLED DOCUMENT.

DWN C. BERTINI 02-1990
CHK A. BRUNI 02-1990
APVD -

PRODUCT SPEC 108-20090
APPLICATION SPEC 412-20000
WEIGHT 5.14g

CUSTOMER DRAWING

SCALE 3:1 SHEET 1 OF 2 REV B4

TE Connectivity

AMP SUPERSEAL 1.5 SRS. CONNECTORS
3 POSITIONS TAB ASS'Y

SIZE A3 CAGE CODE 00779 DRAWING NO. C-282105 RESTRICTED TO

1 TE CONNECTIVITY TRADE MARK,
(IN ALTERNATIVE: "AMP" LOGO, OR "Tyco Electronics" LOGO)

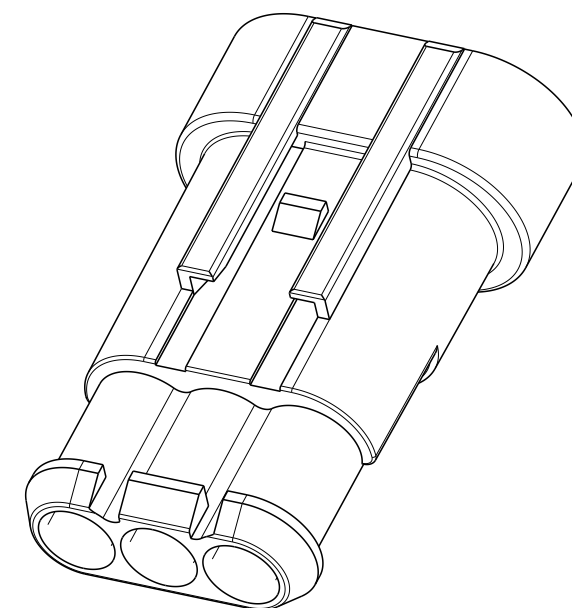
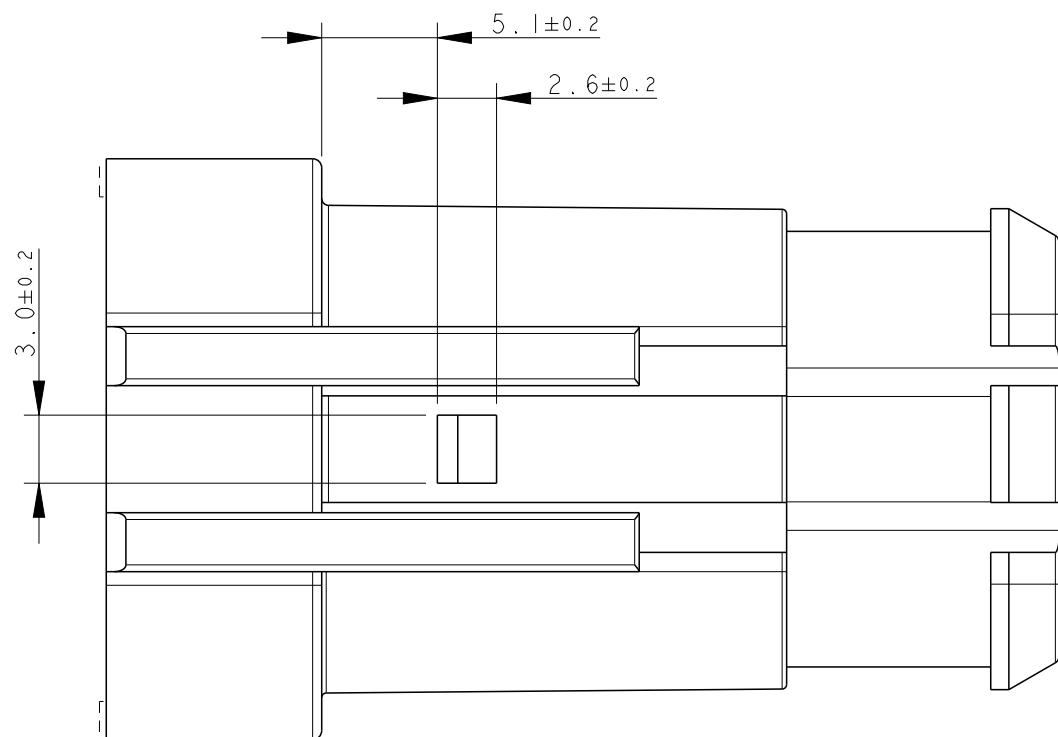
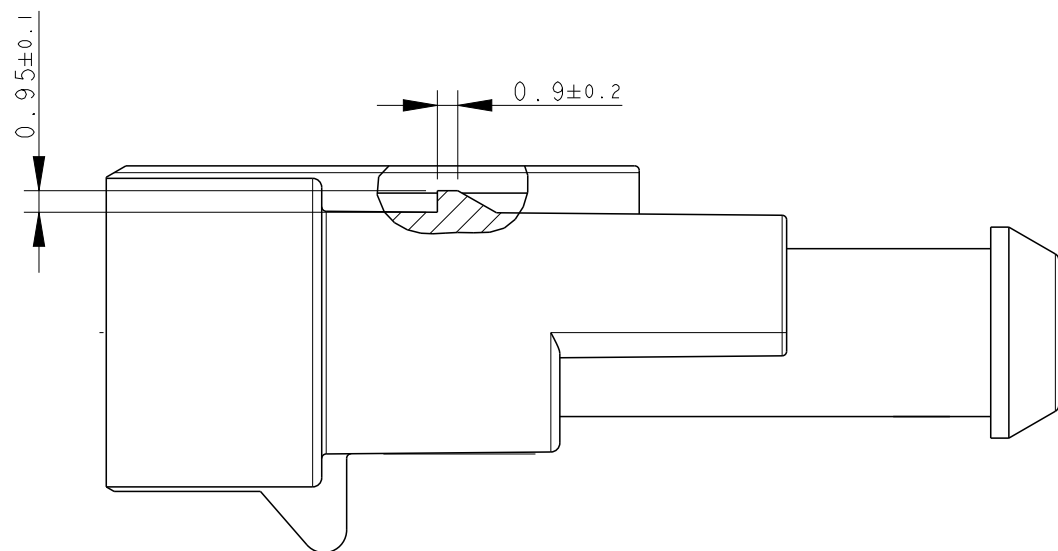
2 PRELIMINARY

DIMENSIONS:	TOLERANCES UNLESS OTHERWISE SPECIFIED:
mm	
0 PLC	±
1 PLC	± 0.3
2 PLC	±
3 PLC	±
4 PLC	±
ANGLES	± 2°
MATERIAL	FINISH
SEE TABLE	SEE TABLE

REVISIONS


P	LTR	DESCRIPTION	DATE	DWN	APVD
-	-	SEE SHEET 1	-	-	-

REFER SHEET 1 FOR MISSING DIMENSIONS



PRELIMINARY

4-282105-1 AS SHOWN

THIS DRAWING IS A CONTROLLED DOCUMENT.		DWN C. BERTINI 02-1990	 TE Connectivity		
DIMENSIONS: mm		CHK A. BRUNI 02-1990			
TOLERANCES UNLESS OTHERWISE SPECIFIED:		APVD -	NAME AMP SUPERSEAL 1.5 SRS. CONNECTORS 3 POSITIONS TAB ASS'Y		
0 PLC ±- 1 PLC ± 0.3 2 PLC ±- 3 PLC ±- 4 PLC ±- ANGLES ± 2°		PRODUCT SPEC 108-20090	SIZE A3		
MATERIAL SEE TABLE		APPLICATION SPEC 412-20000	CAGE CODE 00779	DRAWING NO C-282105	RESTRICTED TO
FINISH SEE TABLE		WEIGHT 5.14g	SCALE 3:1 SHEET 2 OF 2 REV B4		
CUSTOMER DRAWING					