

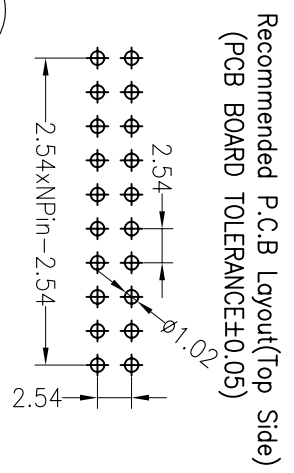
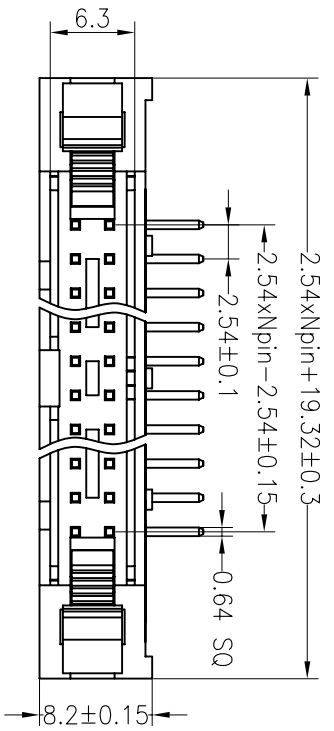


FILE NO: E362810

SPECIFICATIONS

Rated Current: 3.0AMP
 Contact Resistance: 20mΩ Max
 Withstand Voltage: 1000V AC/DC
 Insulation Resistance: 1000MΩ Min
 Operation Temperature: -40°C to +105°C

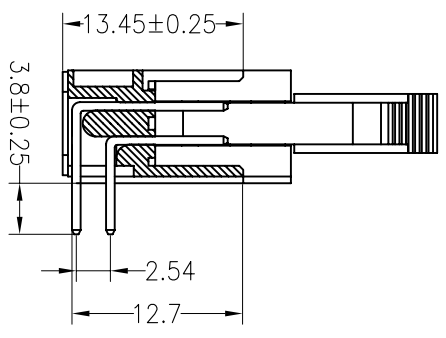
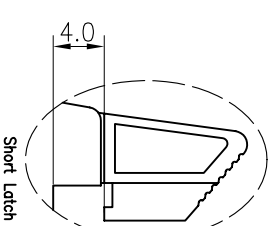
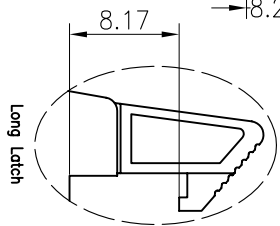
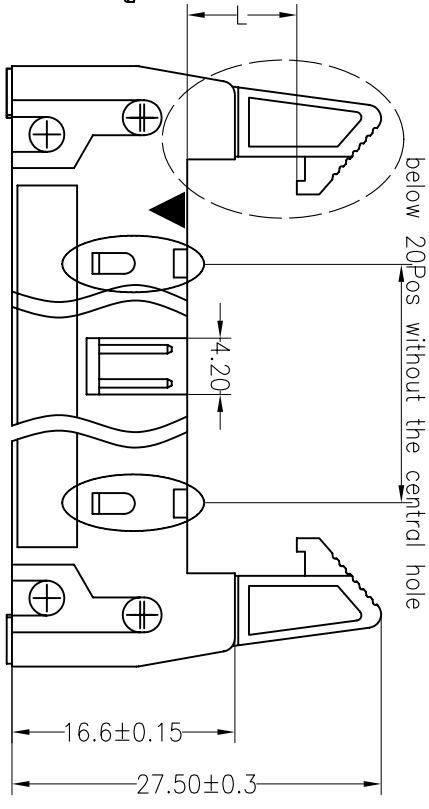
Contact Material: Brass
 Contact Plating: Au or Sn Over Ni
 Insulator Material: Polyester (UL94V-0)
 Standard: PA6T
 Max. Processing Temp: 230°C for 30-60 seconds
 (260°C for 10 seconds)



Ordering Information

3310 XX R XX X X X X 0 1

- No. of Pins Per Row: 6-64
- Contact Plating: G0:Gold Flash, G1:3U" Gold, G2:5U" Gold, G3:10U" Gold, G4:15U" Gold, G5:30U" Gold, S0:Gold Flash/Tin, SN:tin
- Insulator Material Option: A=BK-PBT, B=BK-PA66, C=BK-PA6T, D=BK-PA46, F=BK-PA6T, F=BK-LCP
- Color Type: B=Black, G=Grey
- Latch Type: L=Long Latch, S=Short Latch, N=Without Latch
- Peeding Bag: O=PE Bag, A=Tray, T=Tube



REV	DATE	MODIFICATION DESCRIPTION	CHANGE	OPERATION	DRAW	YHY/sheng	12.03.28	SCALE	FIT	TITLE:
A0	2012.03.28	NEW DRAWING		X.X	±0.30			UNIT	mm	
				X.XX	±0.20			SIZE	A4	PART NO.
				X.XXX	±0.10			SHEET	1/1	3310XRXXXXX01
				Angle	±3°			PROJ.		2.54 ejector header Npin 90°
				DIM	TOL					

JIN 深圳市锦凌电子有限公司
 SHENZHEN JINLING ELECTRONIC CO.,LTD
 Tel: 86-755-2997-5806/5802 Fax: 86-755-2997-5992