

Type Standard



Spannung
Voltage **58 V**

Strom
Current **2 A - 40 A**

Ausschaltvermögen
Breaking capacity **1.000 A**



Anwendung / Application

Hochspannungsanwendungen in der Automobilindustrie, USV bis 58 V / High voltage automotive industry and UPS up to 58 V

Aufbau / Construction:

Gehäuse / Body Isolierender Kunststoff / Insulating plastic
Kontakt / Contact Zinklegierung / Zinc alloy

Verpackungsmöglichkeiten / Packing options:

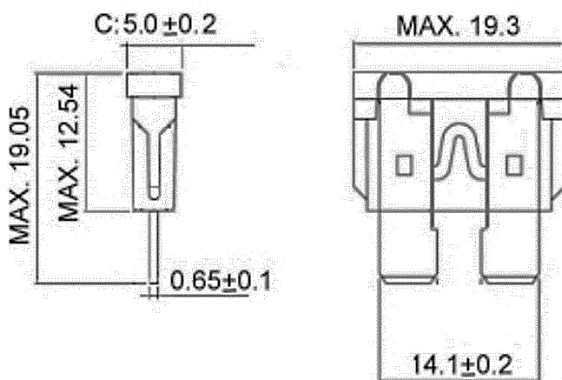
500 St. = Industrieverpackung / 500 pcs. = Industrial packaging

Bemessungswerte / Ratings:

| Art. No. | I_N | U_N [V] | R_c [mΩ] | I_{BC} [A] | Farbcode / Color Code |
|-------------|-------|-----------|------------|--------------|-----------------------|
| 340.020-58V | 2 A | 58 | 55 | 1.000 | Grau / Grey |
| 340.022-58V | 3 A | 58 | 31 | 1.000 | Violett / Violet |
| 340.023-58V | 4 A | 58 | 23 | 1.000 | Rosa / Pink |
| 340.024-58V | 5 A | 58 | 18 | 1.000 | Orange / Orange |
| 340.026-58V | 7,5 A | 58 | 11 | 1.000 | Braun / Brown |
| 340.027-58V | 10 A | 58 | 7,7 | 1.000 | Rot / Red |
| 340.029-58V | 15 A | 58 | 4,8 | 1.000 | Blau / Blue |
| 340.031-58V | 20 A | 58 | 3,3 | 1.000 | Gelb / Yellow |
| 340.032-58V | 25 A | 58 | 2,5 | 1.000 | Weiss / White |
| 340.033-58V | 30 A | 58 | 1,9 | 1.000 | Grün / Green |
| 340.034-58V | 35 A | 58 | 1,6 | 1.000 | Türkis / Turquoise |
| 340.035-58V | 40 A | 58 | 1,4 | 1.000 | Bernstein / Amber |

$I_N - t$ Verhalten / $I_N - t$ characteristics:

| Bemessungsstrom-Faktor / Rated current factor | Schmelzzeit / Melting time: |
|---|-----------------------------|
| | 2 A |
| | - |
| | 40 A |
| $1,1 \cdot I_N$ | t_{min} 100 h |
| | t_{max} - |
| $1,35 \cdot I_N$ | t_{min} 750 ms |
| | t_{max} 30 min |
| $2 \cdot I_N$ | t_{min} 40 ms |
| | t_{max} 5 s |



I-t Charakteristik / Characteristics:

