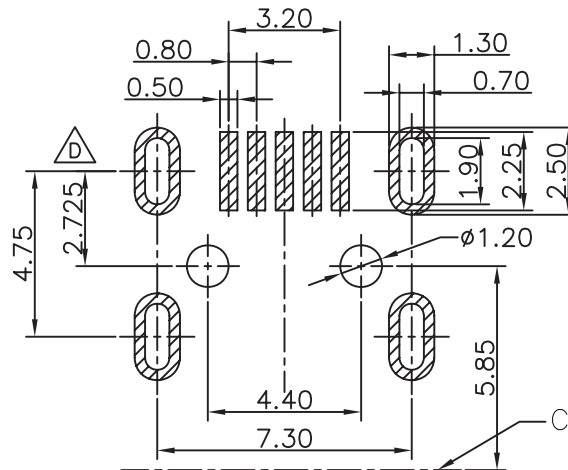
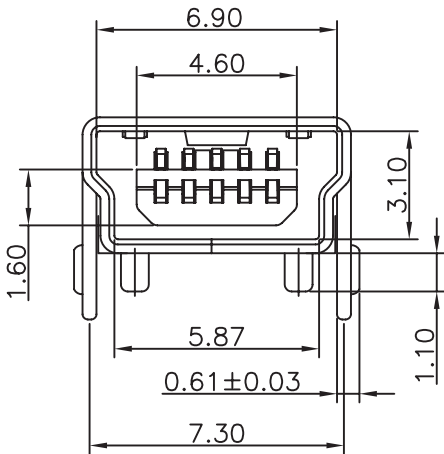
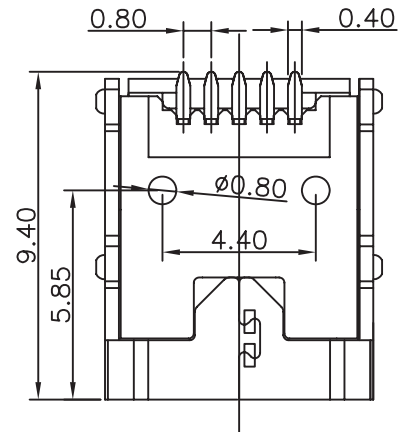
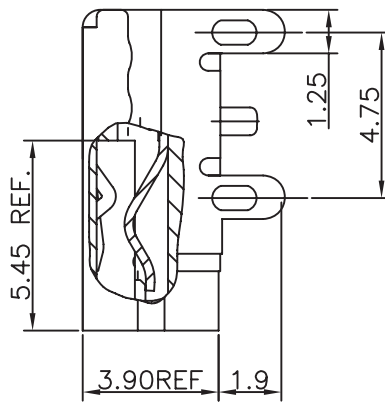
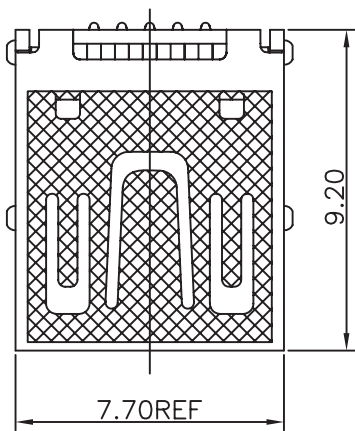


**USB**

Technical data:

Insulating material:	High temp. Thermoplast UL 94V-0
Contact material:	Phosphor bronze
Plating:	Selective gold
Rated current:	0,5 Amp.
Rated voltage:	40 V <sub>RMS</sub> /V <sub>DC</sub>
Withstand voltage:	500 V <sub>RMS</sub> for one minute
Operating temperature:	-40°C to +105°C
Max. soldering temp.:	260°C for 10 seconds

pitch	rows	row distance	orientation	termination
			<b>right angled</b>	<b>SMD</b>



Recommended P.C.Board Layout

Connector Edge

Plating: S = Sel. Au

Order code:

**397-Q-S-KS0A07**