

Technical specification:

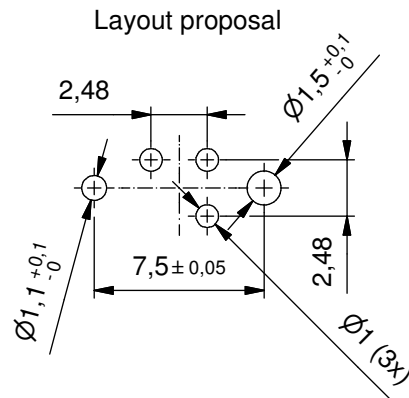
Rated voltage: IEC 61076-2-104	50 V AC / 60 V DC
Current rating: IEC 61076-2-104	4 A at 40 °C
Insulation resistance: IEC 60512	>=100 MΩ
Pollution degree: IEC 60664-1	3/2
Degree of protection: IEC 60529	IP 67, in mated condition
Temperature range: EN 60512-11-10 EN 60512-11-4	-25 °C ... +95 °C -40 °C ... +85 °C
Mating cycles: IEC 60512-9a	>=100

Materials:

Contact:	CuZn, Ni b / Au 0,2 gal.
Contact carrier:	LCP GF, UL 94 V-0
Sealing:	FPM, NBR
Socket housing:	CuZn, Ni
Suitable for reflow soldering	max. 60s / 250 °C

Installation specification:

Recommended torque:	1-1,2 Nm
Conec installation tool:	Torque wrench: 36-000200 Insert across flats 13: 36-000220
Installation hole:	See fig.1 42K1A1119



Part no. packing unit Tape & Reel:	Part no. packing unit in bulk:	Description:	Pos
42-01293TR	42-01293	SAL - 8 - FK3 - X9 / THR	3

DO NOT ALTER CAD DRAWING BY HAND RoHS & REACH compliant	Index a: 31.03.16 rbo Ä6018 Marking in mating face removed, details of contact carrier and sealing added		dim. in mm	title: Female socket M8x1 THR, frontmounting				
				date		name		
			drawn		25.03.15		Gitinow	
			appd.		01.04.15		Schramm	
general tolerance:		0 ± 0,50mm		0,0 ± 0,25mm		0,00 ± 0,10mm		
		+		± 5°				
				dwg no:		42K1A819		
				part no:		see table		
THIS DRAWING MAY NOT BE COPIED OR REPRODUCED IN ANY WAY, AND MAY NOT BE PASSED ON TO A THIRD PARTY WITHOUT WRITTEN PERMISSION. OWNERSHIP AND COPYRIGHT OF CONEC GmbH								