

**Technical specification:**

Rated voltage: 50 V AC / 60 V DC  
IEC 61076-2-104

Current rating: 4 A at 40 °C  
IEC 61076-2-104

Insulation resistance: >=100 MΩ  
IEC 60512

Pollution degree: 3/2  
IEC 60664-1

Degree of protection: IP 67, in mated condition  
IEC 60529

Temperature range: -25 °C ... +95 °C  
EN 60512-11-10  
-40 °C ... +85 °C  
EN 60512-11-4

Mating cycles: >=100  
IEC 60512-9a

**Materials:**

Contact: CuZn, Ni b / Au 0,2 gal.

Contact carrier: LCP GF, UL 94 V-0

Sealing: FPM, NBR

Socket housing: CuZn, Ni

Suitable for reflow soldering  
max. 60s / 250 °C

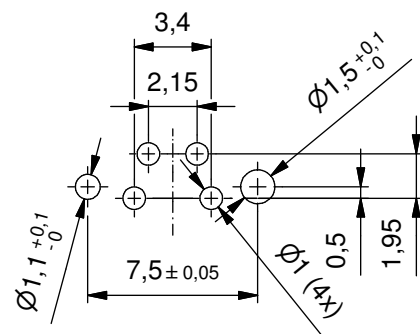
**Installation specification:**

Recommended torque: 1-1,2 Nm

Conec installation tool: Torque wrench: 36-000200  
Insert across flats 13: 36-000220

Installation hole: See fig.1 42K1A1119

**Layout proposal**



Part no. packing unit Tape & Reel:	Part no. packing unit in bulk:	Description:	Pos
42-01317TR	42-01317	SAL- 8 - FS4 - X9 / THR	4

DO NOT ALTER CAD DRAWING BY HAND RoHS & REACH compliant	Index a: 31.03.16 rbo Ä6018 Marking in mating face removed, details of contact carrier and sealing added		dim. in mm	title: <b>Male socket M8x1 THR, frontmounting, screwable / snap-in</b>	
			date	name	dwg no: <b>42K1A843</b>
			drawn	23.02.15	
		appd.	23.02.15	Schramm	part no: see table
general tolerance:		0 ± 0,50mm	<b>CONEC</b> ®		
		0,0 ± 0,25mm			
		0,00 ± 0,10mm			
		+ ± 5°	THIS DRAWING MAY NOT BE COPIED OR REPRODUCED IN ANY WAY, AND MAY NOT BE PASSED ON TO A THIRD PARTY WITHOUT WRITTEN PERMISSION. OWNERSHIP AND COPYRIGHT OF CONEC GmbH		