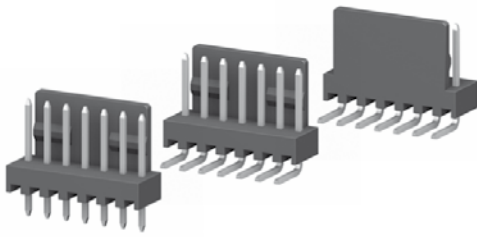


Pin Header with Polarizing Feature and Friction Lock 2,54 mm

Series

428



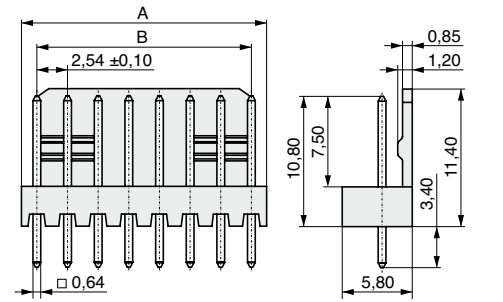
Rated current	3,0 A
Rated voltage	250 VRMS / VDC
Please consider air- and creepage distances	
Withstand voltage	500 VRMS for one minute
Material contact	Copper alloy
Material insulator	High temp. thermoplast UL94V-0
Operating temperature	-25°C to +105°C
Max. processing temper.	240°C for 5 seconds

pitch	2,54
termination	
contact size	0,64
max. pincount	020

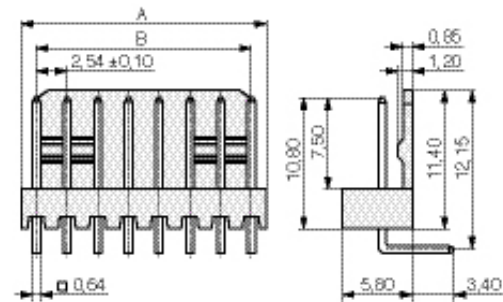
All dimensions in mm.

Product group
3

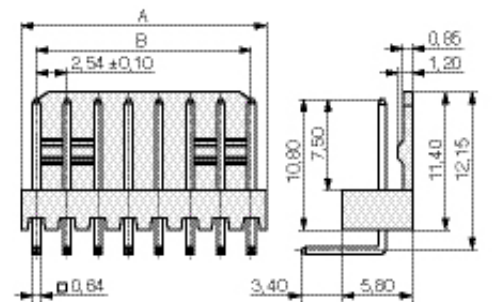
Variation



1

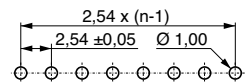
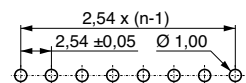
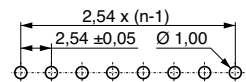


2



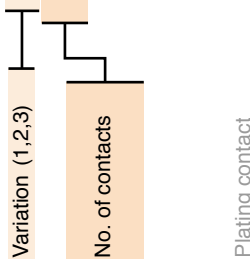
3

PCB Layout



no. of contacts	see figure left	see figure left	available in variation		
			A	B	
n	A	B			
002	5,08	2,54	1	2	3
003	7,62	5,08	1	2	3
004	10,16	7,62	1	2	3
005	12,70	10,16	1	2	3
006	15,24	12,70	1	2	3
007	17,78	15,24	1	2	3
008	20,32	17,78	1	2	3
009	22,86	20,32	1	2	3
010	25,40	22,86	1	2	3
011	27,94	25,40	1	2	3
012	30,48	27,94	1	2	3
013	33,02	30,48	1	2	3
014	35,56	33,02	1	2	3
015	38,10	35,56	1	2	3
016	40,64	38,10	1	2	3
017	43,18	40,64	1	2	3
018	45,72	43,18	1	2	3
019	48,26	45,72	1	2	3
020	50,80	48,26	1	2	3

Plating:
T = Sn



www.mpe-connector.de

CS7061_V2

Order code:

428-2-222-0-T-KS0

Mating series	431
see page	6-11