

**Technical specification:**

Rated voltage: 4pos 5pos  
IEC 61076-2-101 250 V 60V

Current rating: 4/5pos  
IEC 61076-2-101 4 A at 40°C

Insulation resistance: >=100 MΩ  
IEC 60512

Pollution degree: 3/2  
IEC 60664-1

Degree of protection: IP 67, in  
IEC 60529 mated condition

Temperature range: -25°C ... +95°C  
EN 60512-11-10 -40°C  
EN 60512-11-4 -40°C ... +85°C

Mating cycles: >=100  
IEC 60512-9a

**Materials:**

Contact: CuZn, Ni b / Au 0,2 gal.

Contact carrier: LCP GF, UL 94 V-0

Sealing: FPM / NBR

Soldering sheet: CuZn, Ni / tin plated

Socket housing: CuZn, Ni

**Installation specification:**

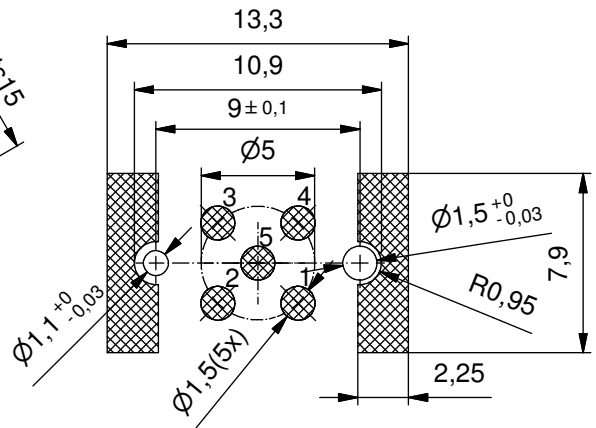
Recommended torque: 0,8-1 Nm

Conec installation tool: Torque wrench: 36-000200  
Insert across flats 15: 36-000320

Insulating body module suitable for reflow soldering max. 60s / 250°C

Coplanarity of all contacts and soldering sheets max 0,1mm

**Layout proposal**

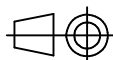


Part no. packing unit Tape & Reel:	Part no. packing unit in bulk:	Description:	Pos
43-01852TR	43-01852	SAL - 12 - FK4 - X9 / 14 / SMT	4
43-01853TR	43-01853	SAL - 12 - FK5 - X9 / 14 / SMT	5

DO NOT ALTER CAD DRAWING BY HAND

RoHS & REACH compliant

Index d 30.03.16 brü Ä6042  
technical data changed & tolerance optimized



dim. in mm

title:

Female socket M12x1 SMT

	date	name
drawn	12.10.11	Kniesburgues
appd.	13.10.11	W.Schmidt

dwg no:

43K1A1480

general tolerance: 0 ± 0,50mm  
0,0 ± 0,25mm  
0,00 ± 0,10mm  
\* ± 1,5°



part no:

see tabel

THIS DRAWING MAY NOT BE COPIED OR REPRODUCED IN ANY WAY, AND MAY NOT BE PASSED ON TO A THIRD PARTY WITHOUT WRITTEN PERMISSION. OWNERSHIP AND COPYRIGHT OF CONEC GmbH