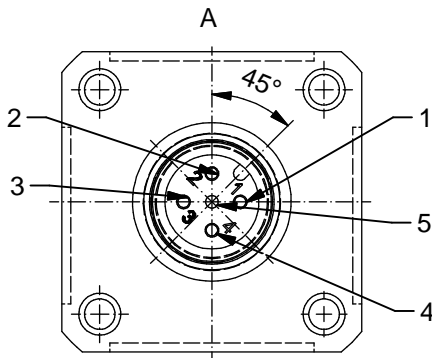


Sealing  
onesided self-adhesive



**Technical specification:**

Rated voltage: 4pos 5pos  
IEC 61076-2-101 250 V 60 V

Current rating: 4 A at 40°C  
IEC 61076-2-101

Insulation resistance: >=100 MΩ  
IEC 60512

Pollution degree: 3/2  
IEC 60664-1

Degree of protection: IP 67, in mated condition  
IEC 60529

Temperature range: -30°C ... +80°C

Mating cycles: >=100  
IEC 60512-9a

**Materials:**

Contact: CuZn

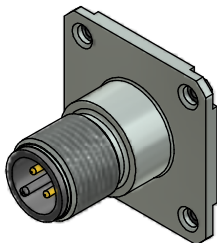
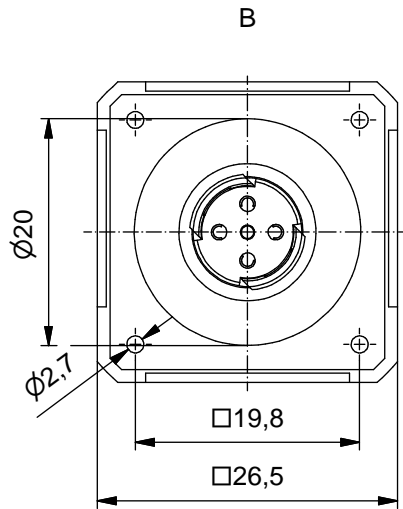
Contact plating: Nickel, gold plated

Contact carrier: PBT GF, UL 94

Sealing: NBR

Socket housing: CuZn, nickel plated

Grouting: Polyurethane-resin, UL 94



Part-no.:	Description:	Pos
43-02303	SAL - 12 - FSV4 - L - 26	4
43-02304	SAL - 12 - FSV5.1 - L - 26	5

DO NOT ALTER CAD DRAWING BY HAND Directive 2011/65/EU RoHS compliant	dim. in mm		title: <b>Male socket M12x1 with soldering contact, with square</b>	
		date		name
		drawn	18.09.13	Fromm
		appd.	18.09.13	Mankopf
general tolerance: 0 ± 0,50mm 0,0 ± 0,25mm 0,00 ± 0,10mm			dwg no: <b>43K1A2131</b>	
				part no:
THIS DRAWING MAY NOT BE COPIED OR REPRODUCED IN ANY WAY, AND MAY NOT BE PASSED ON TO A THIRD PARTY WITHOUT WRITTEN PERMISSION. OWNERSHIP AND COPYRIGHT OF CONEC GmbH				