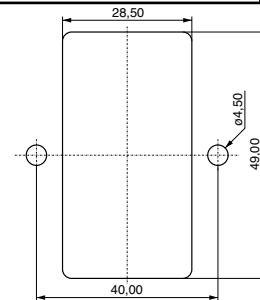


# Fused Power Inlet, Vertical Mount with Switch

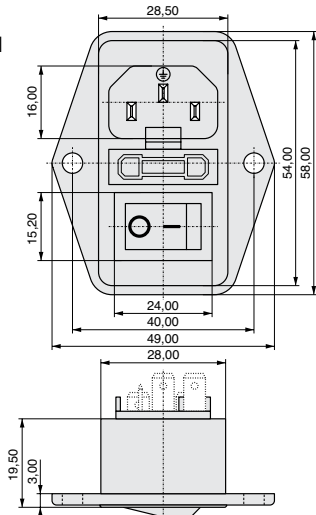
Series **448**



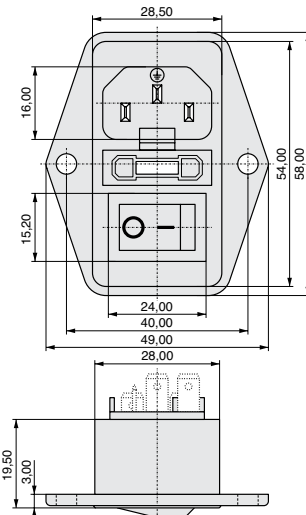
Rated current 10,0 A (15,0 A acc. UL)  
 Rated voltage 250 VRMS  
 Approvals



Without illuminated switch



With illuminated switch



59JR1011FR

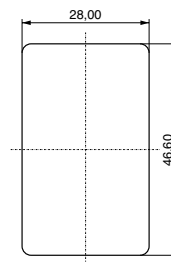
59JR1011FRLR

# Fused Power Inlet, Snap-in with Switch

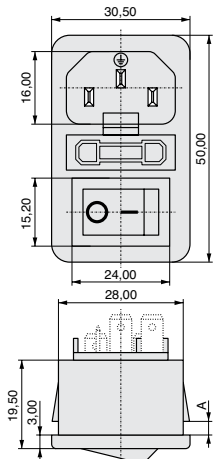
Series **650**



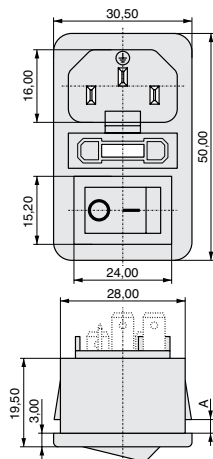
Rated current 10,0 A (15,0 A acc. UL)  
 Rated voltage 250 VRMS  
 Approvals



Without illuminated switch



With illuminated switch



59JR1011FRS???

59JR1011FRSLR???

A = Snap-in size:  
 100 = 1,00 mm  
 150 = 1,50 mm  
 200 = 2,00 mm