

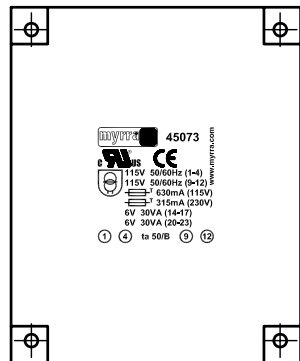
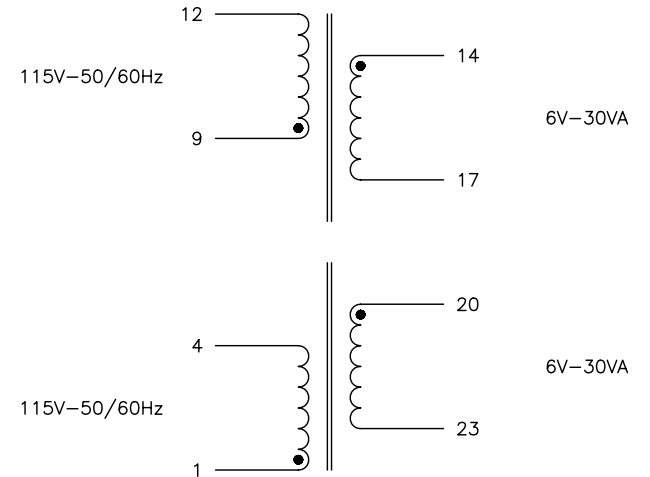
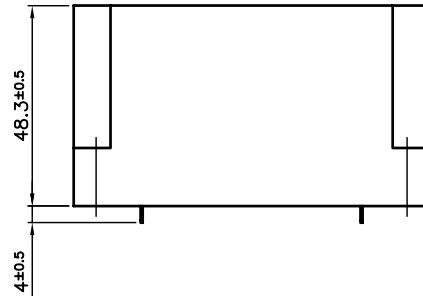
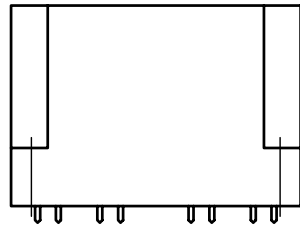
SAFETY ISOLATING TRANSFORMER

POWER : 60VA
 INPUT VOLTAGE : 2x115V
 FREQUENCY : 50/60Hz
 NOMINAL OUTPUT VOLTAGE : 2x6V

NON SHORT CIRCUIT PROOF TRANSFORMER
 IP00
 UL94HB
 OPERATING TEMPERATURE : -25°C to 50°C
 STORAGE TEMPERATURE : -25°C to 85°C
 INSULATION CLASS (IEC85) : B
 REQUIRED PROTECTION : ON PRIMARY 630mA (115V)
 315mA (230V)

STANDARDS :
 UL506 (File E111078)
 CSA 22-2 (File E111078)
 CE

CONFORM TO :
 EN61558-1
 EN61558-2-6



45073

 115V 50/60Hz (1-4)
 115V 50/60Hz (9-12)
 6V 30VA (14-17)
 6V 30VA (20-23)
 315mA (230V)
 1 4 9 12 17 20 23

Rev	Date	Modification	Dessiné	Visa
D				
C				
B				
A				

Finition:		Tolérance générale:		
Finition:		General tolerance:		
Ech: 1:1	Matière:			
	Material:			
Dessiné par: ROUSSEL.Ch	Date: 27/02/2008	Visa: J.P.M.		
DATA SHEET 45073				
UI 48x27				
		22 Allée du Clos des Charmes Z.A. Les Portes de la Forêt 77090 COLLEGIEN Tel : 01-60-37-55-55 Fax : 01-60-17-12-00		DS45073