

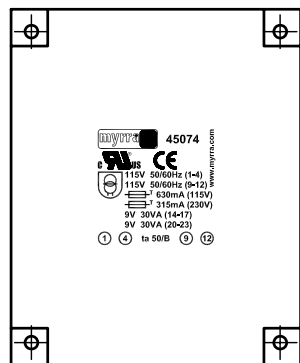
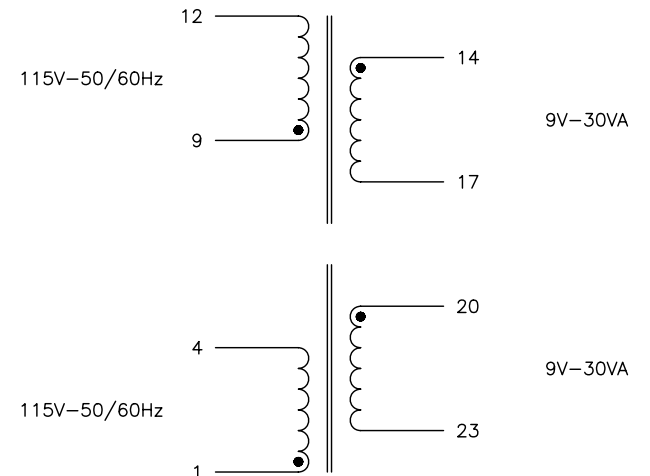
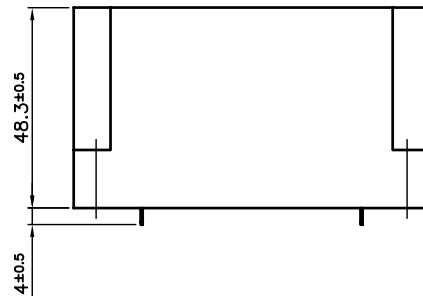
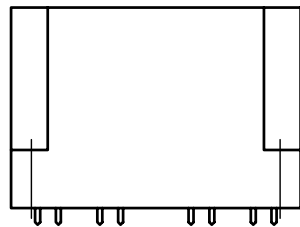
SAFETY ISOLATING TRANSFORMER

POWER : 60VA
 INPUT VOLTAGE : 2x115V
 FREQUENCY : 50/60Hz
 NOMINAL OUTPUT VOLTAGE : 2x9V

NON SHORT CIRCUIT PROOF TRANSFORMER
 IP00
 UL94HB
 OPERATING TEMPERATURE : -25°C to 50°C
 STORAGE TEMPERATURE : -25°C to 85°C
 INSULATION CLASS (IEC85) : B
 REQUIRED PROTECTION : ON PRIMARY 630mA (115V)
 315mA (230V)

STANDARDS :
 UL506 (File E111078)
 CSA 22-2 (File E111078)
 CE

CONFORM TO :
 EN61558-1
 EN61558-2-6



45074

 115V 50/60Hz (1-4)
 115V 50/60Hz (9-12)
 315mA (115V)
 9V 30VA (14-17)
 9V 30VA (20-23)
 1 4 9 12 17 20 23

Rev	Date	Modification	Dessiné	Visa
D				
C				
B				
A				

Finition:		Tolérance générale:	
Finition:		General tolerance:	
Ech: 1:1	Matière:		
	Material:		
Dessiné par: ROUSSEL.Ch	Date: 27/02/2008	Visa: J.P.M.	
DATA SHEET 45074			
UI 48x27			
		22 Allée du Clos des Charmes Z.A. Les Portes de la Forêt 77090 COLLEGIEN Tel : 01-60-37-55-55 Fax : 01-60-17-12-00	DS45074