

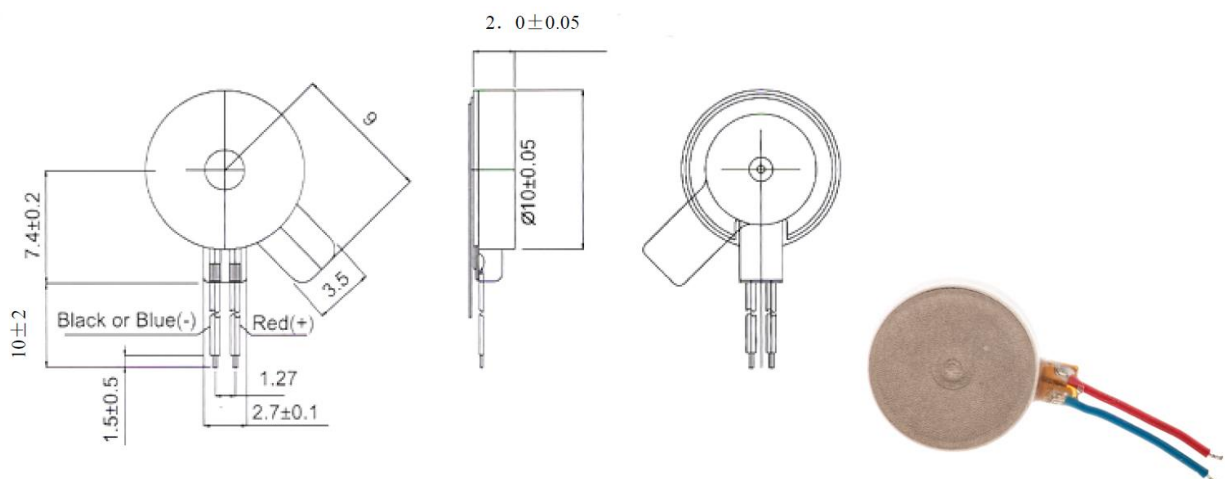
Vibrationsmotor VM-1002A3.0 Art.-Nr.: 860215

Specification:

TYPE	UNIT	VM-1003A3.0
Rated voltage	V _{DC}	3.0
Operating range voltage	V _{DC}	2.3~4.0
Rotation	-	CW&CCW
Rated Current	mA	<80
Rated speed	rpm	10.000±3.000
Starting voltage	V _{DC}	2.3
Starting current	mA	120
Insulation resistance	MΩ	10
Terminal resistance	Ω	70 max.
Weight	g	2.0
Operating temperature	°C	-20~+60

Dimensions:

(Unit: mm)



Typical applications : Motorized toys, pager, mobile phone