

Motor GM12-N20VA-08220-298-10D

Art.-Nr.: 860506

Specification :

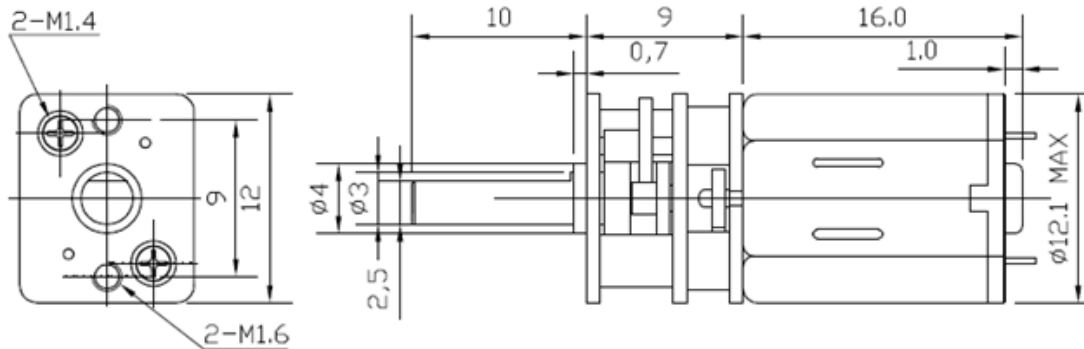
Item	Unit	Specification
Rated voltage	V _{DC}	6.0
Gear Ratio		1/298
Rotation		CW
Motor Position		All position in horizontal
Temperature	°C	0~30
Humidity	%	30~95
• Performance of Motor		
No-load Speed	rpm	16.000±10%
No-load Current	mA	35 (max.)
Stall Current	mA	600 (max.)
Stall Torque	g.cm	10
• Performance of Gear motor		
Output Speed	rpm	55±10%
No-load Current	mA	50 (max.)
Stall Current	mA	600 (max.)
Stall Torque	kg.cm	3.0
Rated Torque	g.cm	750
Rated Current	mA	150 (max.)
Noise	dB	50
• The Dimension		
The Outside Shaft Length	mm	10
Shaft End Play	mm	0.05-0.30
Screw Size		M1.6*0.35
Dia of Shaft	mm	Ø3*2.5mm

Motor GM12-N20VA-08220-298-10D

Art.-Nr.: 860506

Dimensions :

(Unit : mm)



Curve Drawings :

