

Motor GM16-030-08300-360-10D Art.-Nr.: 860517

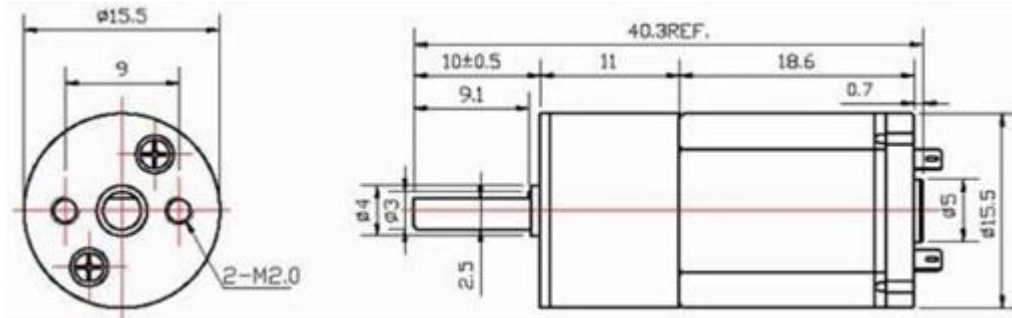
Specification :

Item	Unit	Specification
Rated voltage	V _{DC}	6.0
Gear Ratio		1/360
Rotation		CCW
Motor Position		All position in horizontal
Temperature	°C	0~30
Humidity	%	30~95
• Performance of Motor		
No-load Speed	rpm	9.000±10%
No-load Current	mA	35 (max.)
Stall Current	mA	400 (max.)
Stall Torque	g.cm	24
• Performance of Gear motor		
Output Speed	rpm	25±10%
No-load Current	mA	55 (max.)
Stall Current	mA	400 (max.)
Stall Torque	kg.cm	3
Rated Torque	g.cm	1000
Rated Current	mA	100 (max.)
Noise	dB	48
• The Dimension		
The Outside Shaft Length	mm	10
Shaft End Play	mm	0.05-0.30
Screw Size		M2*0.35
Dia of Shaft	mm	Ø3*2.5

Motor GM16-030-08300-360-10D Art.-Nr.: 860517

Dimensions :

(Unit : mm)



Curve Drawings :

