

**Motor GM37-545-3800-10-21D** Art.-Nr.: 860533

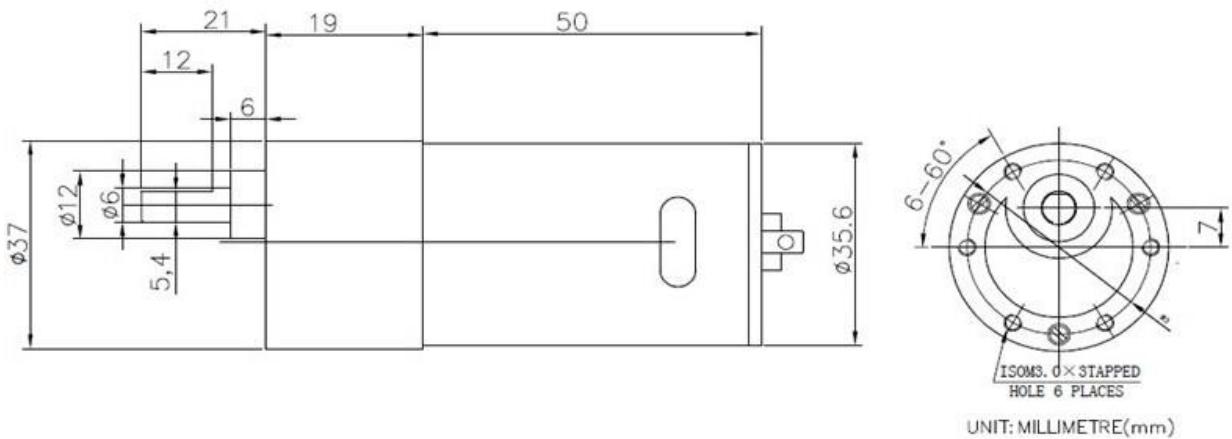
**Specification :**

| Item                               | Unit            | Specification              |
|------------------------------------|-----------------|----------------------------|
| Rated voltage                      | V <sub>DC</sub> | 24.0                       |
| Gear Ratio                         |                 | 1/10                       |
| Rotation                           |                 | CW                         |
| Motor Position                     |                 | All position in horizontal |
| Temperature                        | °C              | 0~30                       |
| Humidity                           | %               | 30~95                      |
| <b>• Performance of Motor</b>      |                 |                            |
| No-load Speed                      | rpm             | 7.800±10%                  |
| No-load Current                    | mA              | 150 (max.)                 |
| Stall Current                      | mA              | 6000 (max.)                |
| Stall Torque                       | g.cm            | 1100                       |
| <b>• Performance of Gear motor</b> |                 |                            |
| Output Speed                       | rpm             | 780±10%                    |
| No-load Current                    | mA              | 180 (max.)                 |
| Stall Current                      | mA              | 6000 (max.)                |
| Stall Torque                       | kg.cm           | 12.0                       |
| Rated Torque                       | g.cm            | 1500                       |
| Rated Current                      | mA              | 850 (max.)                 |
| Noise                              | dB              | 56                         |
| <b>• The Dimension</b>             |                 |                            |
| The Outside Shaft Length           | mm              | 21                         |
| Shaft End Play                     | mm              | 0.05-0.50                  |
| Screw Size                         |                 | M3 (allowed the depth 3mm) |
| Dia of Shaft                       | mm              | Ø6-D12mm                   |

**Motor GM37-545-3800-10-21D** Art.-Nr.: 860533

**Dimensions :**

(Unit : mm)



**Curve Drawings :**

