

1

2

3

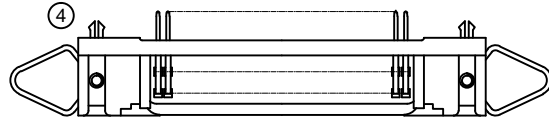
4

5

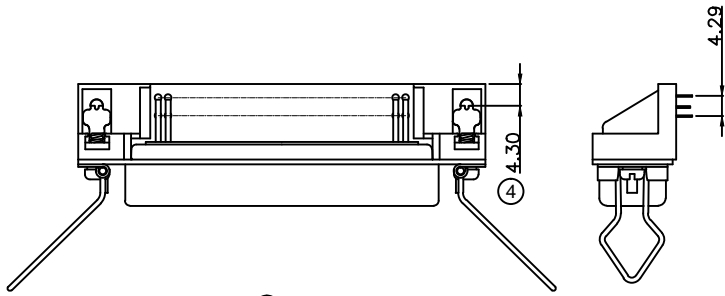
6

7

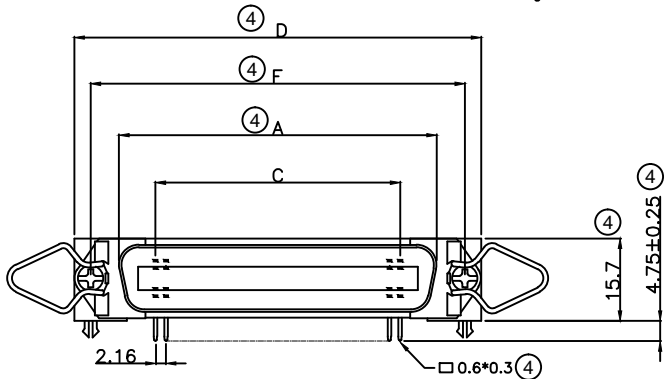
A



B

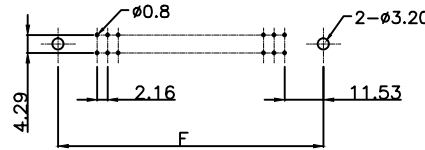


C



D

E



F

CENTRONIC P.C.B. RIGHT ANGLE FEMALE WITH  
SPRING LATCH SCREW LOCK GROUND HOOK

P.C.B. LAYOUT

### Product Specification

#### Material

Insulator :Glass-Filled Thermoplastic PBT,UL94V-0 rated,Blue

Contact :Brass

Shell :Steel, 100u" Tin Over 50u" min Nickel.

Boardlock :Brass, 100u" min Nickel Plated.

#### Electrical

Contact Resistance :20 milliohms Max at 3 AMP DC.

Insulation Resistance :1000 magohms at 500 VDC

Dielectric Withstanding Voltage : 1000 VAC/rms 60Hz for 1 minute

Current Rating :5 AMP

Volatge Rating :250 VAC/rms 60Hz

#### Dimensions

Positions	C	A	F	D
14	12.96	25.6	36.0	43.9
24	23.76	36.3	46.8	54.7
36	36.72	49.3	59.6	67.7
50	51.84	64.4	74.9	82.8

G

## RoHS compliant

Unit:mm

Scale	Free					Date	Name	Customer-No.
TOLERANCE						Drawn	30.06.1999	Hellwig
X.	±0.38					Approved	19.08.2015	Winnie
X.X	±0.25	④	Update	19.08.2015	Winnie			ASSMANN WSW-No. A-57/xx FR/KL
X.XX	±0.13	③	Update	19.04.2013	Winnie			Drawing-No.
X.°	±3°	②	Update	30.06.2009	Dean			ASS 0361 CO
X.X°	±1.0°	①	Drawn	30.06.1999	Hellwig			rev04
		①	Id.	Modification	Date	Name		Replace
								Sheet

H

**ASSMANN**  
WSW components

1

2

3

4

5

6

7

SVxxx