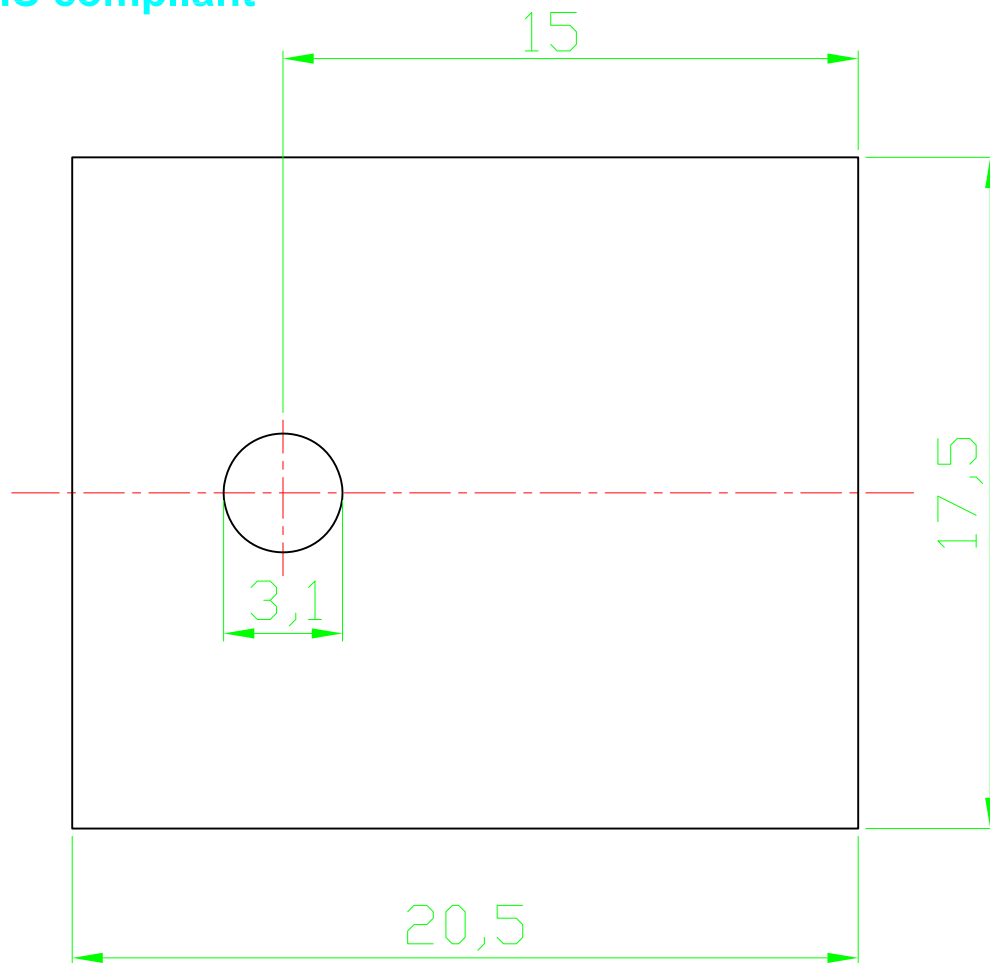



RoHS compliant



Notes
 Material thickness :0.05mm
 Dielectric strength : ca 2 kV
 Thermal conductivity :R_{th} with thermal compound

Scale	1:1					Date	Name	Customer-No.
TOLERANCE						Drawn	20.08.2009	Dean
X.	±X					Approved	10.03.2010	Andy
X.X	±X							
X.XX	±X							
DIM	TOL	②	Modify drawing layout	10.03.2010	Alex			
X.°	±X°							
X.X°	±X°	①	Drawn	20.08.2009	Dean			
Angle	TOL	Id.	Modification	Date	Name	Replace		Sheet

ASSMANN WSW-No. **V7387**
 Drawing-No. **ASS 0935 HS** rev02
 Sheet